

PROPRIETARY DATA

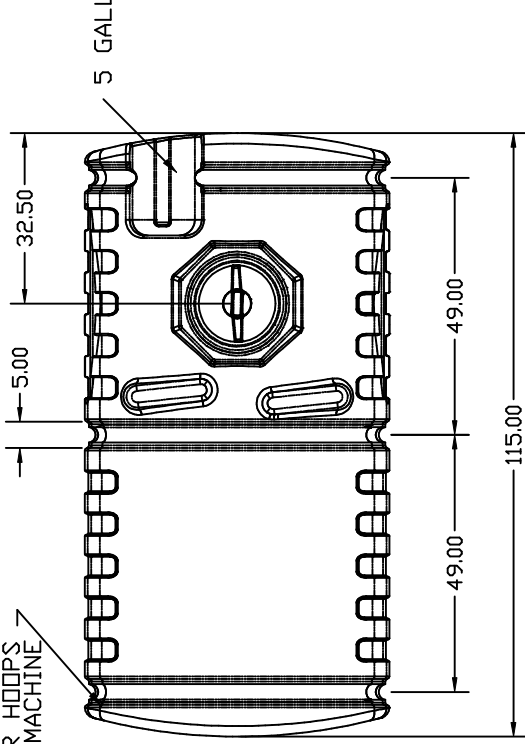
PROPERTY OF ACE ROTO-MOLD MFG. INC. INFORMATION FURNISHED HEREIN IS THE PROPERTY OF ACE ROTO-MOLD MFG. INC. AND SHALL NOT BE USED, DISCLOSED TO OTHERS, OR COPIED WITHOUT THE EXPRESSED WRITTEN CONSENT OF ACE ROTO-MOLD MFG. INC. ALL RIGHTS RESERVED.

USE METAL STRAPS OR HOOPS TO FASTEN TANK TO MACHINE

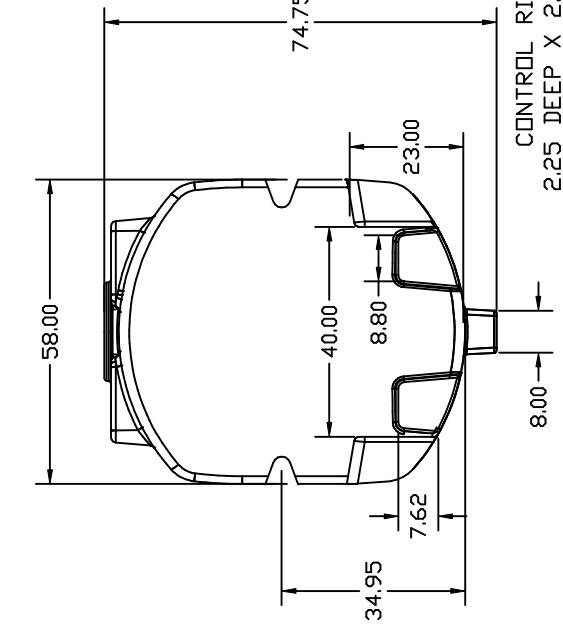
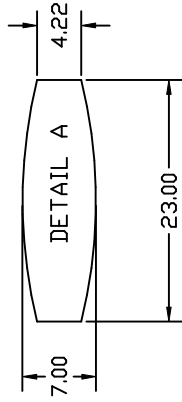
CC1500-58N

B

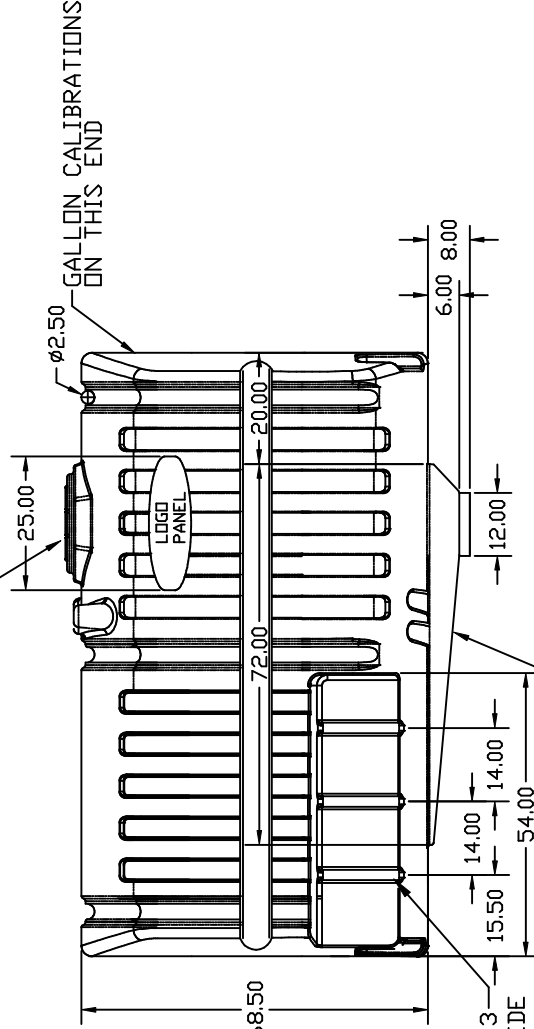
5 GALLON RINSE TANK POCKET



MAX. SIZE FOR CROP CARE GRAPHICS
INCLUDES BACKING PAPER



16" VENTED LID ASSEMBLY



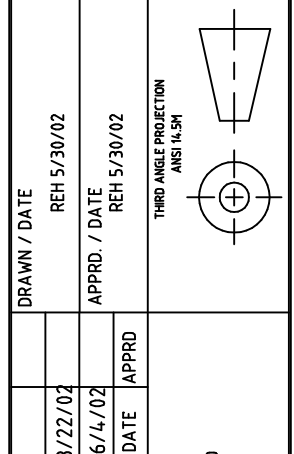
REV	DESCRIPTION	DATE	APPRD
B	68.50 WAS 70	8/22/02	
A	70 WAS 66	6/4/02	

DRAWN / DATE	
REH 5/30/02	
APPRD. / DATE	
REH 5/30/02	

MATERIAL
NDPE REFERENCE MATERIAL DATA SHEET FOR SPECIFIC PROPERTIES.
NOTES:
1. NOM. WALL @ .425 2. NATURAL OR YELLOW COLOR 3. SHOT WEIGHT 4.83 LBS.

CLIENT / DESCRIPTION
1500 GALLON NARROW CROP CARE TANK - SLOPED SUMP
SCALE
N.S.
PART NO.
CC1500-58N

ALL DIMENSIONS ARE IN DECIMAL INCHES
TOLERANCES UNLESS OTHERWISE SPECIFIED
± .1% @ 68° F



ACE ROTO-MOLD
A DIVISION OF DEN HARTOG INDUSTRIES, INC.
4018 HWY. 60 BLVD., BOX 421, HOSPERS, IOWA 51238