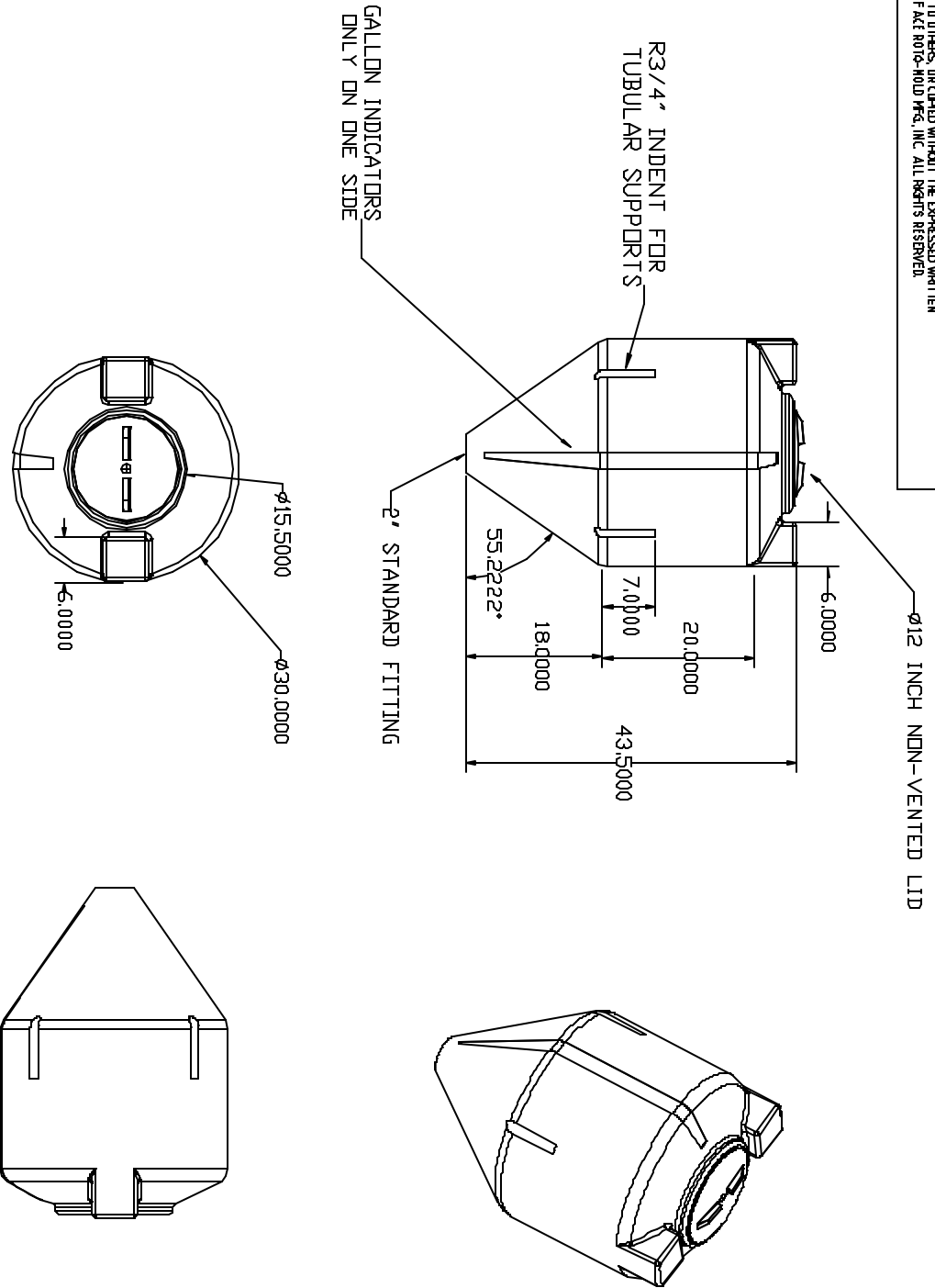


PROPRIETARY DATA

PROPERTY OF ACE ROTOMOLD MFG. INC. INFORMATION FURNISHED HEREIN IS THE PROPERTY OF ACE ROTOMOLD MFG. INC. AND SHALL NOT BE USED, DISCLOSED TO OTHERS, OR REPRODUCED WITHOUT THE EXPRESSED WRITTEN CONSENT OF ACE ROTOMOLD MFG. INC. ALL RIGHTS RESERVED.

IN0085-30



REV	DESCRIPTION	DATE	APPRD

DRAWN / DATE

NVE 6/16/15

APPRD. / DATE

DHJ 6/22/15

THIRD ANGLE PROJECTION  
ANSI X1.9M



MATERIAL

NOTE: EQUIVALENT REFERENCE MATERIAL DATA SHEET FOR SPECIFIC PROPERTIES.

NOTES:

1. NOM. WALL @ .231
2. WHITE OR YELLOW COLOR
3. SHOT WEIGHT 35 LBS.

CLIENT / DESCRIPTION



85 GALLON INDUCTOR TANK

SCALE

N.S.

PART NO.

IN0085-30

ALL DIMENSIONS ARE IN DECIMAL INCHES  
TOLERANCES UNLESS OTHERWISE SPECIFIED  
+ 1% @ 68° F