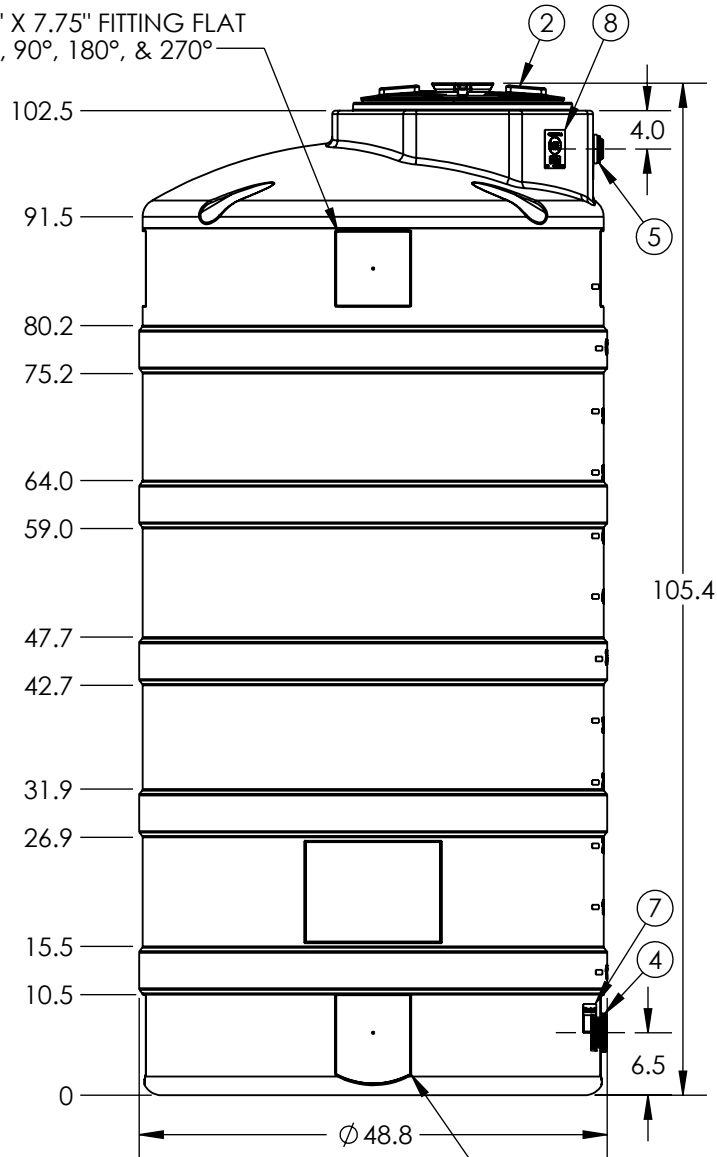
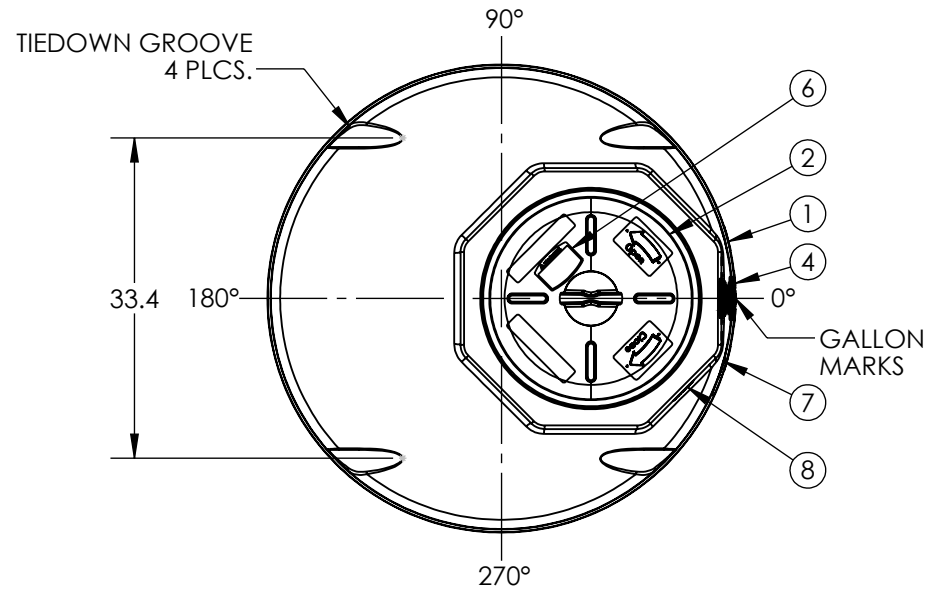



PART NUMBER	MATERIAL
32517	BLACK
32519	GREEN

7.75" X 7.75" FITTING FLAT
@ 0°, 90°, 180°, & 270°



7.75" X 9" FITTING FLAT
@ 0°, 90°, 180°, & 270°



8	1	99700231	DECAL NSF MARK - WATER TKS
7	1	61847	DECAL AG WARNING - SMALL
6	1	61848	DECAL AG WARNING - LARGE
5	1	63931	FTG PP 1-1/2IN ECO-BH EPDM TXT
4	1	63481	FTG 2IN STD BH PP/EPDM
3	8	60081	SCREW #9 X 1" SS 5"-22" LID
2	1	64448	MANWAY 20IN W/VENT R
1	1	30338	750V X 48 RP
ITEM NO.	QTY.	PART NUMBER	DESCRIPTION
DO NOT SCALE		DRAWN BY	TITLE:
Released		IGG	750 V WATER R WF
© TANK HOLDING, CORP, 2023			REVISION
ALL DIMENSIONS, DESIGNS, AND INFORMATION ON THIS PRINT MUST BE CONSIDERED PROPRIETARY TO TANK HOLDING, CORP. AND MAY NOT BE USED, COPIED, OR DISTRIBUTED WITHOUT WRITTEN PERMISSION OF AN OFFICER (OR HIS AGENT) OF THE FIRM.		A BRAND OF TANK HOLDING CORP.	A
		(402) 467-5221 www.snydermet.com	SHEET
		PART NO.	1 OF 1
		SEE CHART	ENG. ID.
			A026309

*ALL EXTERNAL PIPING MUST BE INDEPENDENTLY SUPPORTED.
*ONLY BASE FITTINGS TO BE LEFT INSTALLED AT TIME OF SHIPMENT PER SII PROCEDURE.
ALL DIMENSIONS ARE IN INCHES, NOMINAL, & SUBJECT TO CHANGE WITHOUT NOTICE.
ALL DIMENSIONS ON ROTATIONAL MOLDED PARTS ARE SUBJECT TO A ± 3% TOLERANCE.