
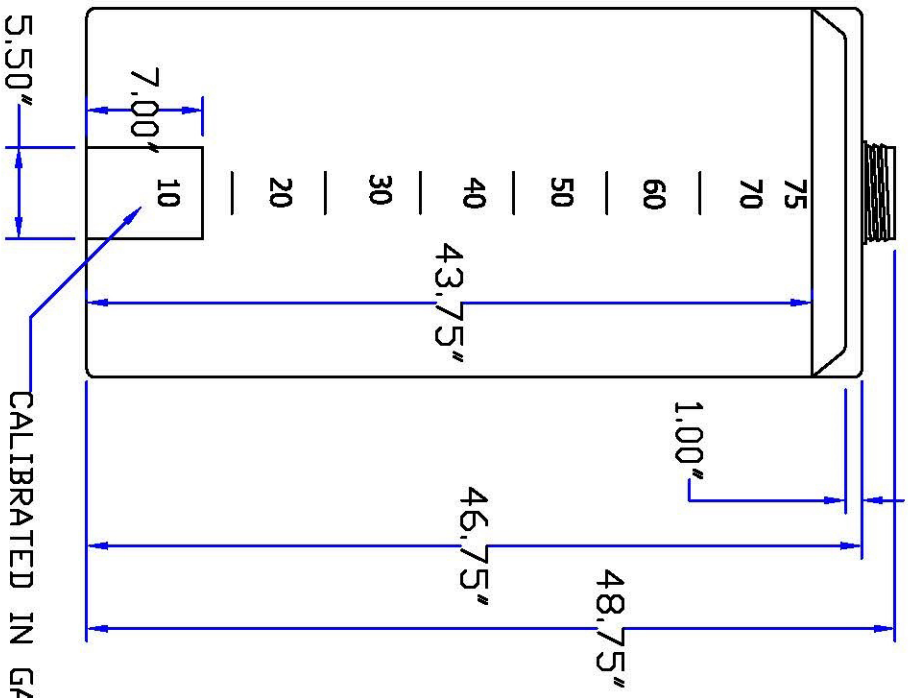
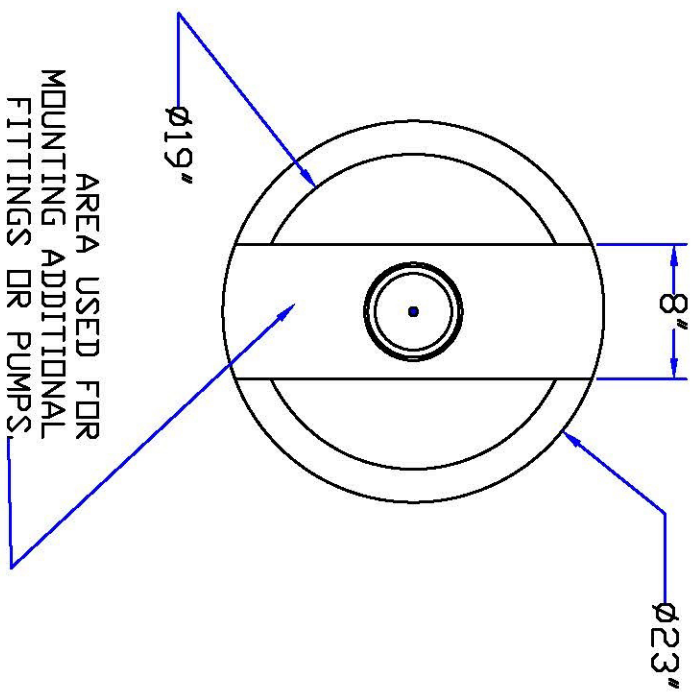


SIDE VIEW

5' THREADED LID WITH VENT

TOP VIEW



THIS DRAWING INCLUDING THE DESIGN AND THE DETAILS IS THE PROPERTY OF BAILIFF ENTERPRISES, INC. (BEI). IT MAY NOT BE REPRODUCED OR COPIED IN WHOLE OR IN PART, NOR MAY IT BE USED EXCEPT IN CONJUNCTION WITH THE WORK OF BEI WITHOUT THE EXPRESS WRITTEN PERMISSION OF BEI.

REV	DIA CHANGED	1/02	APPRD	APPRD	DATE	APPRD
REV	DESCRIPTION	DATE	APPRD	APPRD	DATE	APPRD

DRAWN / DATE		MATERIAL / SHOT WEIGHT	
MPSTYKES/1/19/03		HDPE 33 LBS.	

CLIENT / DESCRIPTION		SCALE	
NATIONAL TANK OUTLET		N.S.	
75 GALLON VERTICAL TANK		PART NO.	
		VTB075-23	

ALL DIMENSIONS ARE IN DECIMAL INCHES
TOLERANCES UNLESS OTHERWISE SPECIFIED
+ .5X @ 68° F

