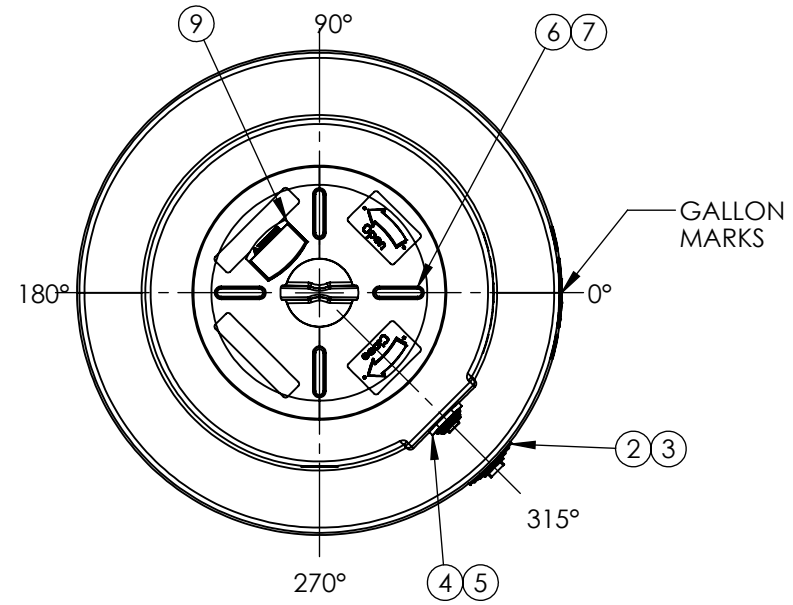
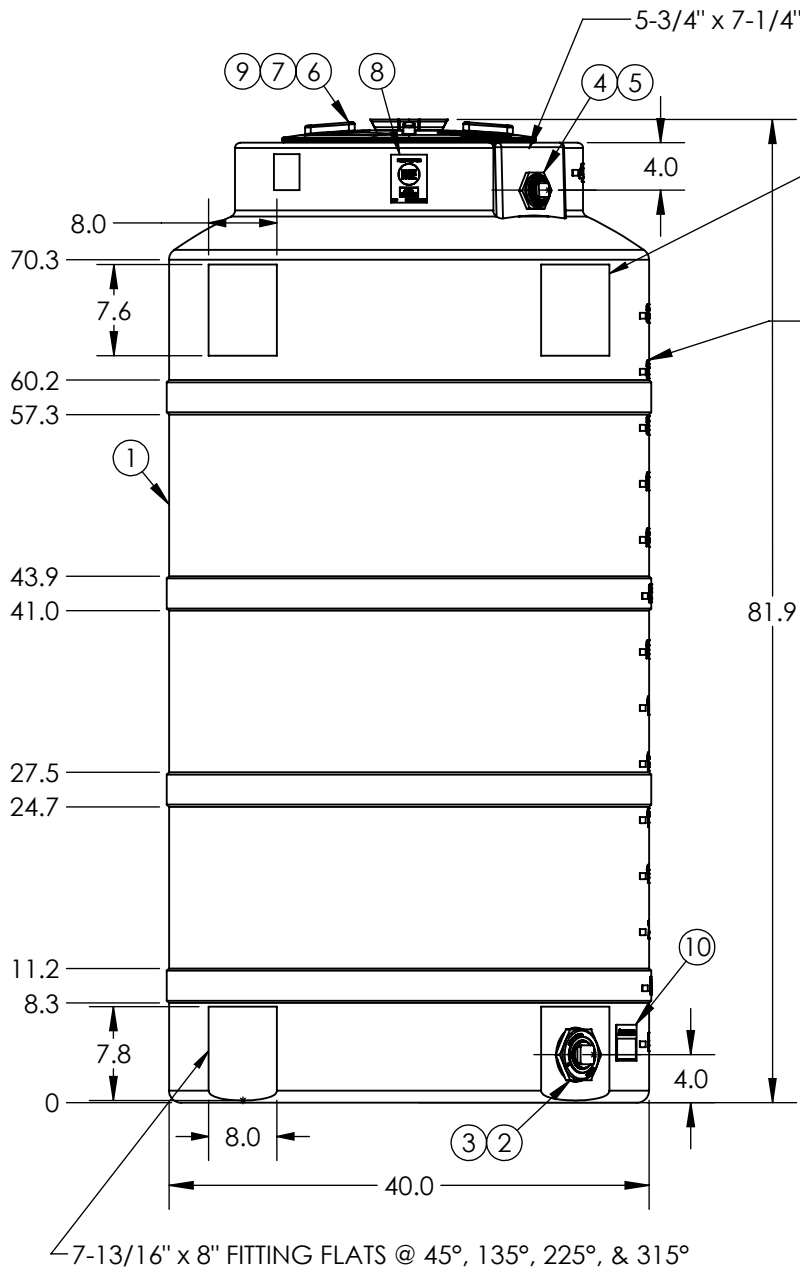


PART NUMBER	COLOR
32505	BLACK
32507	GREEN



***GALLON MARKS CAN BE REMOVED FOR FITTING PLACEMENT AS NECESSARY.**

ITEM NO.	QTY.	PART NUMBER	DESCRIPTION
10	1	61847	DECAL AG WARNING - SMALL
9	1	61848	DECAL AG WARNING - LARGE
8	1	99700231	DECAL NSF MARK - WATER TKS
7	8	60081	SCREW #9 X 1" SS 5"-22"
6	1	64448	MANWAY 20IN W/VENT R
5	1	64149	1-1/2" NPT PLUG
4	1	63931	FTG PP 1-1/2IN ECO-BH EPDM TXT
3	1	60021	2" NPT PLUG
2	1	63683	FTG 2IN HD BH PP/EPDM
1	1	30336-FW	400V X 40RP FW

***FITTINGS ARE CENTERED IN BOTTOM FITTING FLATS & FITTING HEIGHTS MAY VARY.**
***ALL EXTERNAL PIPING MUST BE INDEPENDENTLY SUPPORTED.**
***ONLY BASE FITTINGS TO BE LEFT INSTALLED AT TIME OF SHIPMENT PER SII PROCEDURE.**
ALL DIMENSIONS ARE IN INCHES, NOMINAL, & SUBJECT TO CHANGE WITHOUT NOTICE.
ALL DIMENSIONS ON ROTATIONAL MOLDED PARTS ARE SUBJECT TO A ± 3% TOLERANCE.

DO NOT SCALE		DRAWN BY		TITLE:	400 V WATER R WF	REVISION
Released		KB		ENG. ID.		D010672
© SNYDER INDUSTRIES, LLC, 2020				PART NO.	SEE CHART	SHEET 1 OF 1
<small>ALL DIMENSIONS, DESIGNS, AND INFORMATION ON THIS PRINT MUST BE CONSIDERED PROPRIETARY TO SNYDER INDUSTRIES, LLC, AND MAY NOT BE USED, COPIED, OR DISTRIBUTED WITHOUT WRITTEN PERMISSION OF AN OFFICER (OR HIS AGENT) OF THE FIRM.</small>				(402) 467-5221 www.snydernet.com		