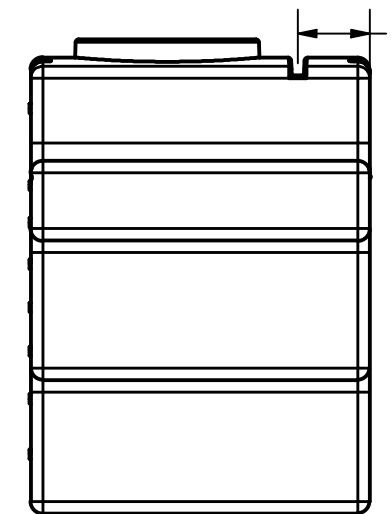
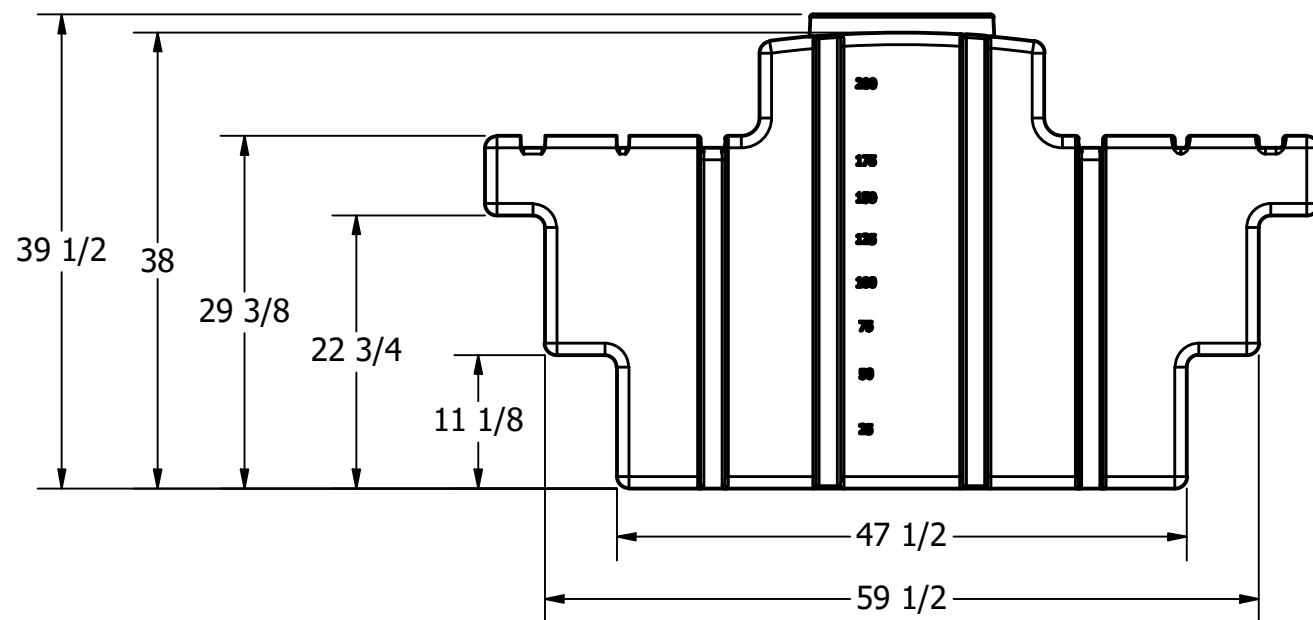
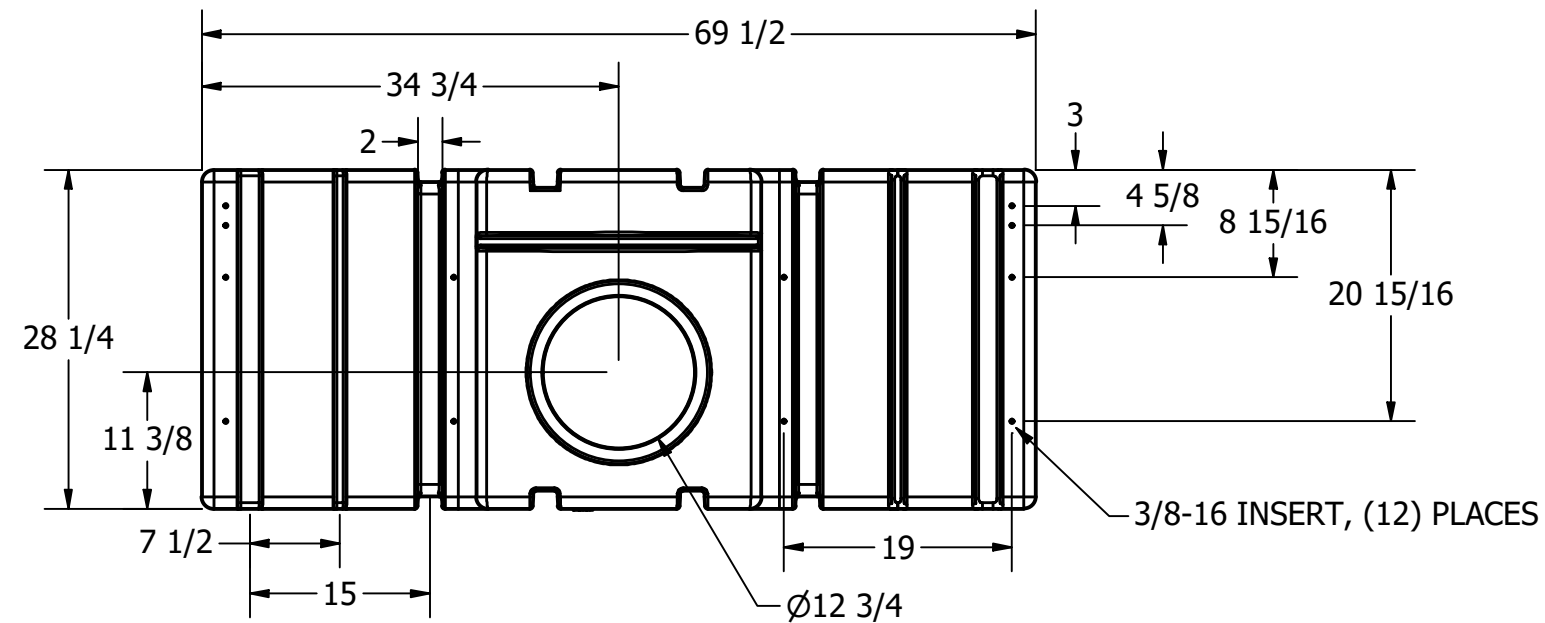



REVISION HISTORY				
ZONE	REV	DESCRIPTION	DATE	APPROVED
	A	ADDED GALLON MARKS	4/20/2022	



DRAWN	3/1/2022	 NORWESCO, INC. SAINT BONIFACIUS, MN TITLE 200 GALLON SPACE SAVER PICKUP TANK		
Paulson				
CHECKED				
QA				
MFG				
APPROVED		SIZE	DWG NO	REV
		B		A
		SCALE: 1/16	SHEET 1 OF 1	