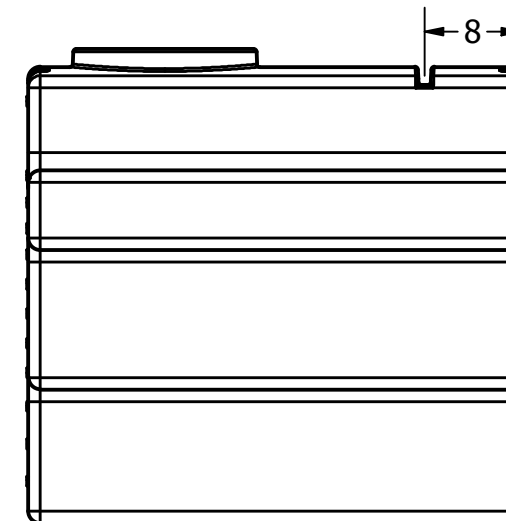
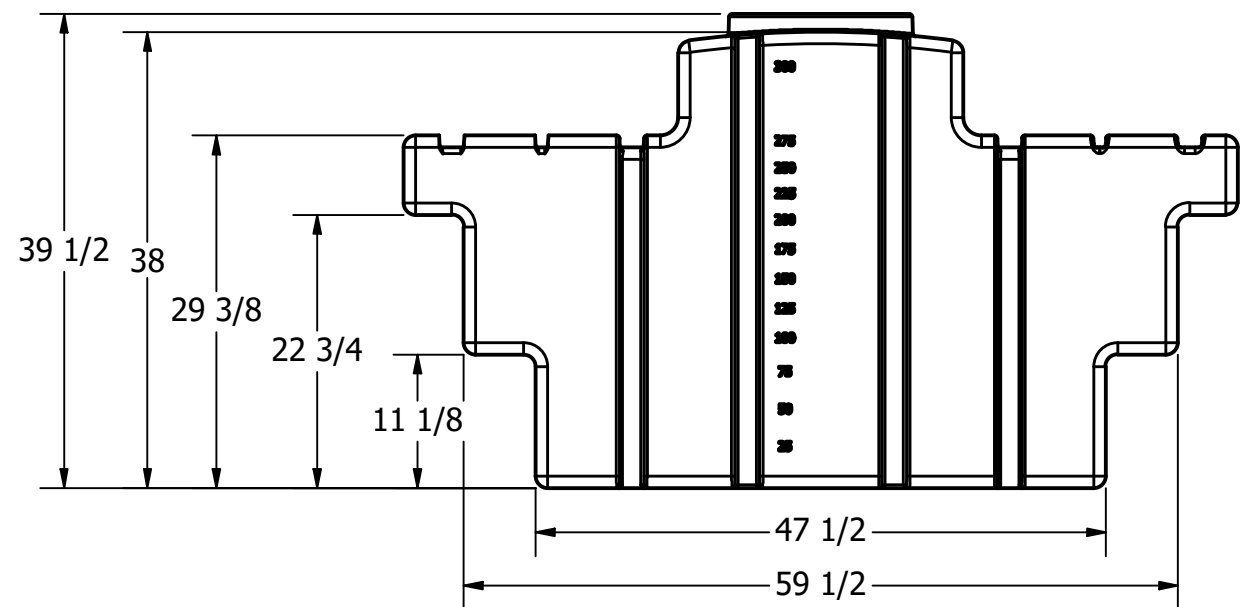
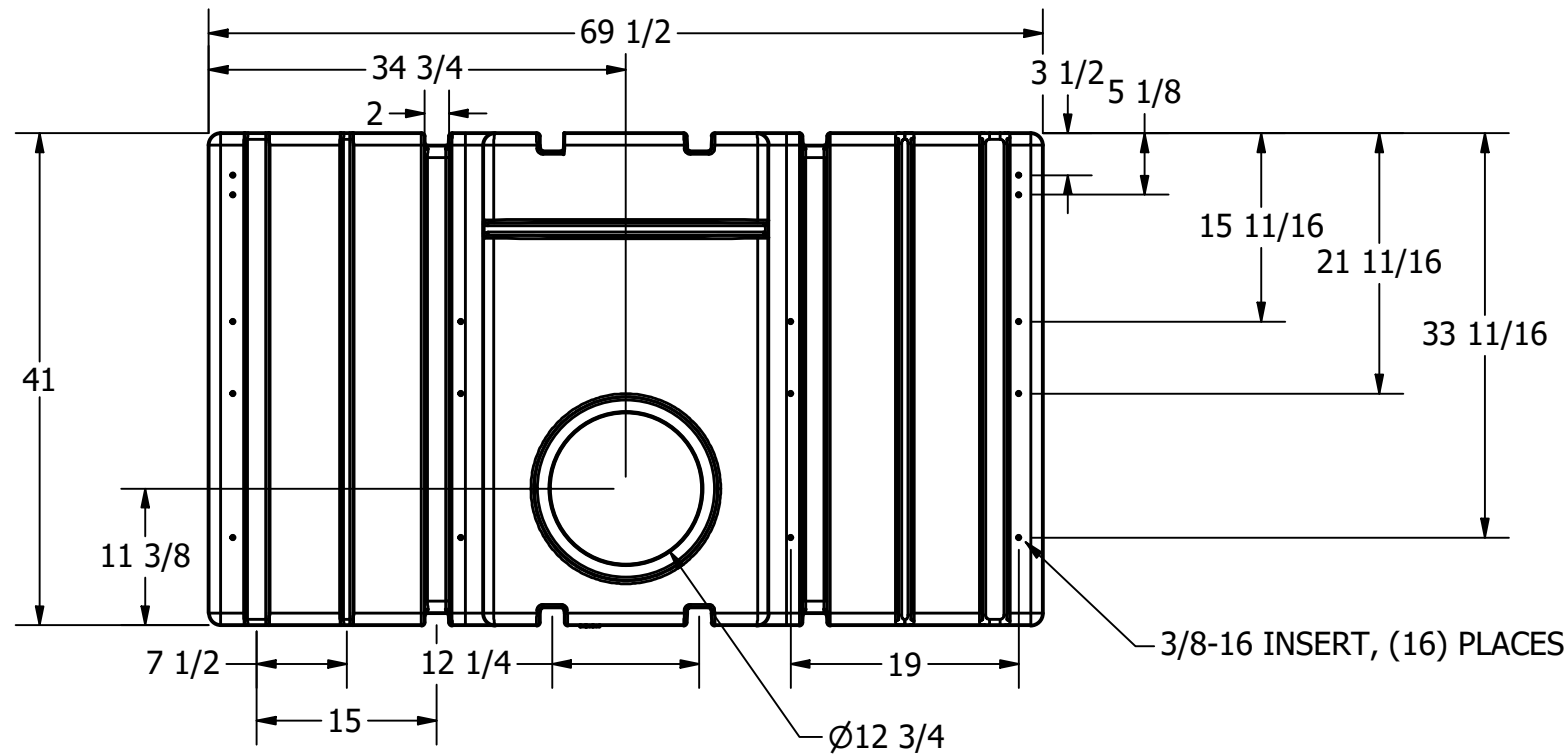



REVISION HISTORY				
ZONE	REV	DESCRIPTION	DATE	APPROVED
	A	ADDED GALLON MARKS	4/20/2022	



DRAWN Jerry Paulson	2/17/2022	 <b>NORWESCO</b> NORWESCO, INC. SAINT BONIFACIUS, MN TITLE <b>300 GALLON SPACE SAVER PICKUP TANK</b>		
CHECKED				
QA				
MFG				
APPROVED		SIZE <b>B</b>	DWG NO	REV <b>A</b>
		SCALE: 1/16	SHEET 1 OF 1	