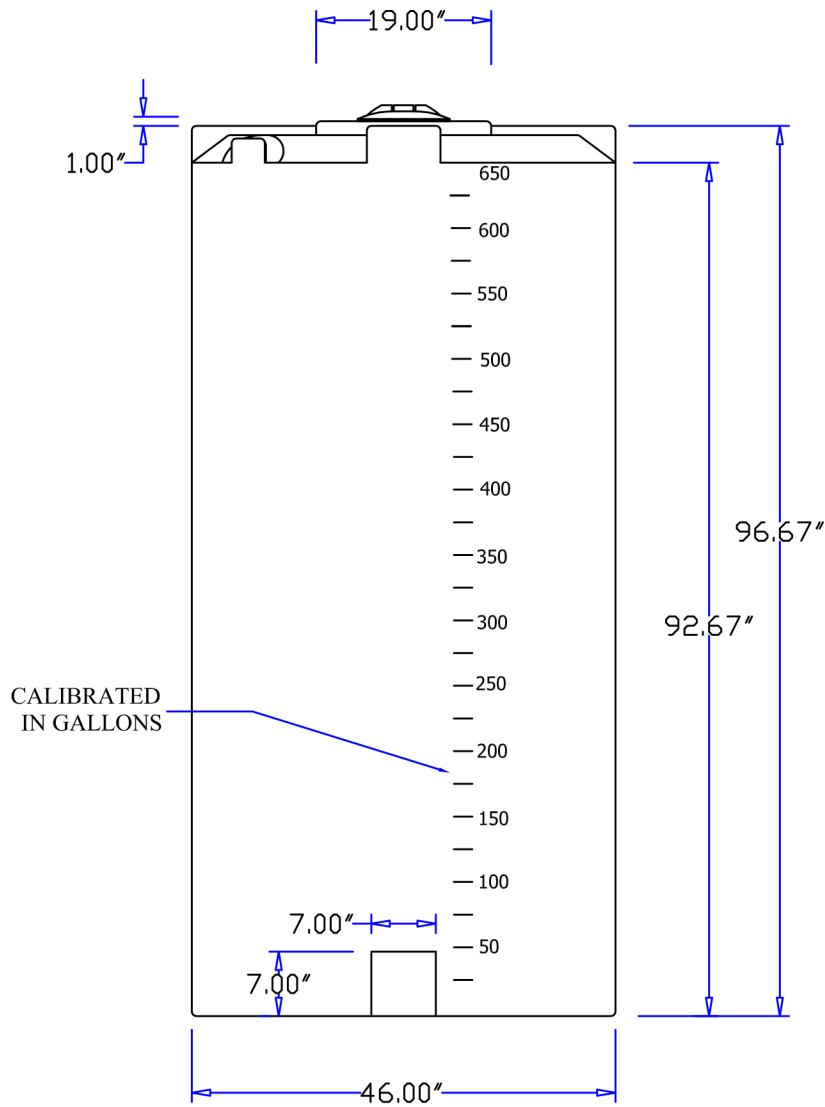
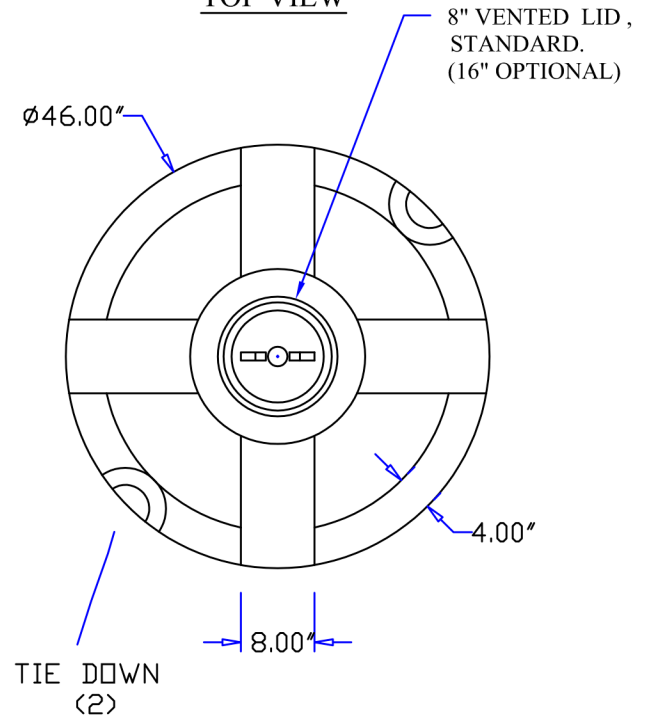


SIDE VIEW



TOP VIEW



| | | | | | | | | | |
|---|-------------|------|-------|--|--|------------------------|----------|--------------------------|------------|
| | | | | DRAWN / DATE MSYKES/3/15/03 | | MATERIAL / SHOT WEIGHT | | | |
| | | | | APPRD. / DATE | | HDPE | 180 LBS. | | |
| REV | DESCRIPTION | DATE | APPRD | | | PP | | CLIENT / DESCRIPTION | |
| | | | | | | | | 650 GALLON VERTICAL TANK | |
| ALL DIMENSIONS ARE IN DECIMAL INCHES TOLERANCES UNLESS OTHERWISE SPECIFIED $\pm .5\% \text{ @ } 68^\circ \text{ F}$ | | | | THIRD ANGLE PROJECTION ANSI 14.5M | | NOTES: | | SCALE | PART NO. |
| | | | | | | | | N.S. | VTB0650-46 |