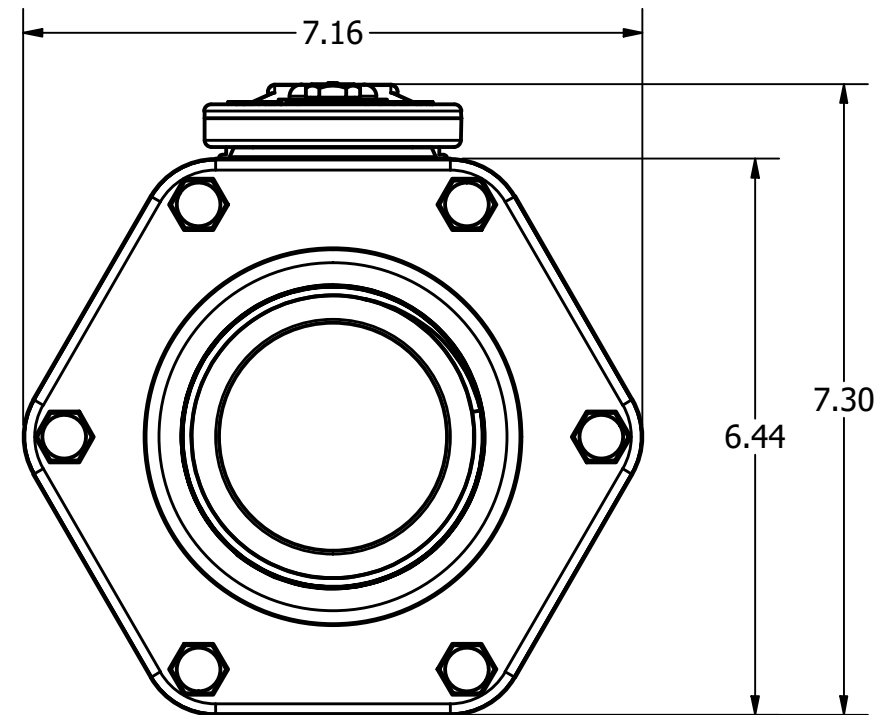
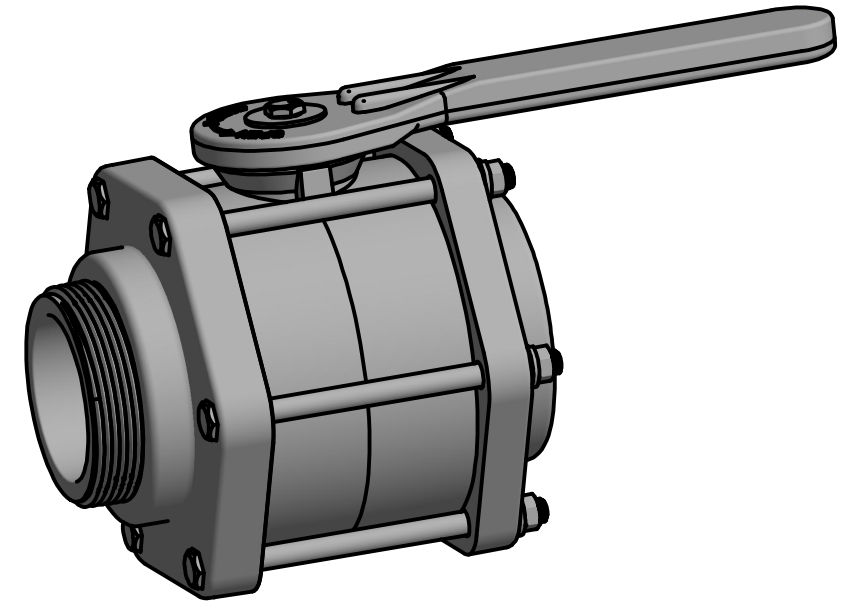



BLUE HANDLE VALVE



DRAWN	Liv Oltean	6/4/2021		
CHECKED			NORWESCO, INC. SAINT BONIFACIUS, MN TITLE	
QA			3 IN FP M X F BOLTED VALVE	
MFG				
APPROVED				
			SIZE	DWG NO
			B	62047
			SCALE: 1/16	REV
				SHEET 1 OF 1