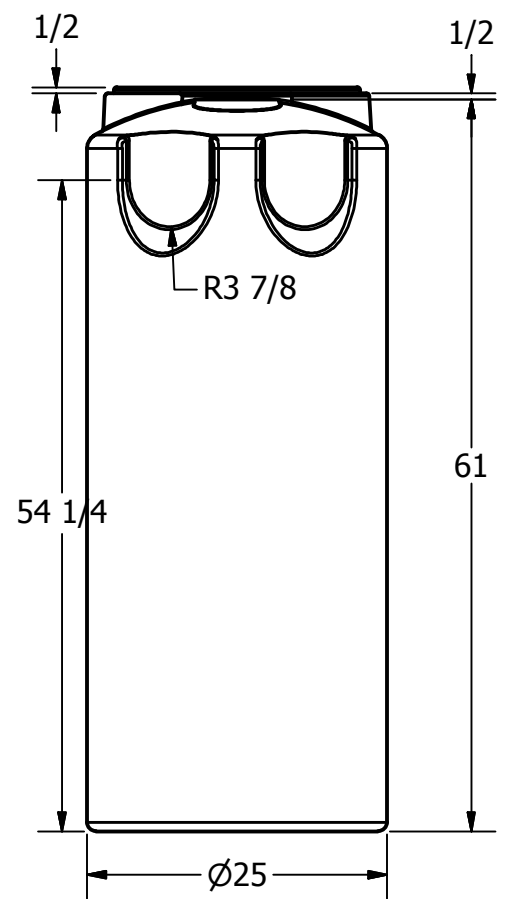
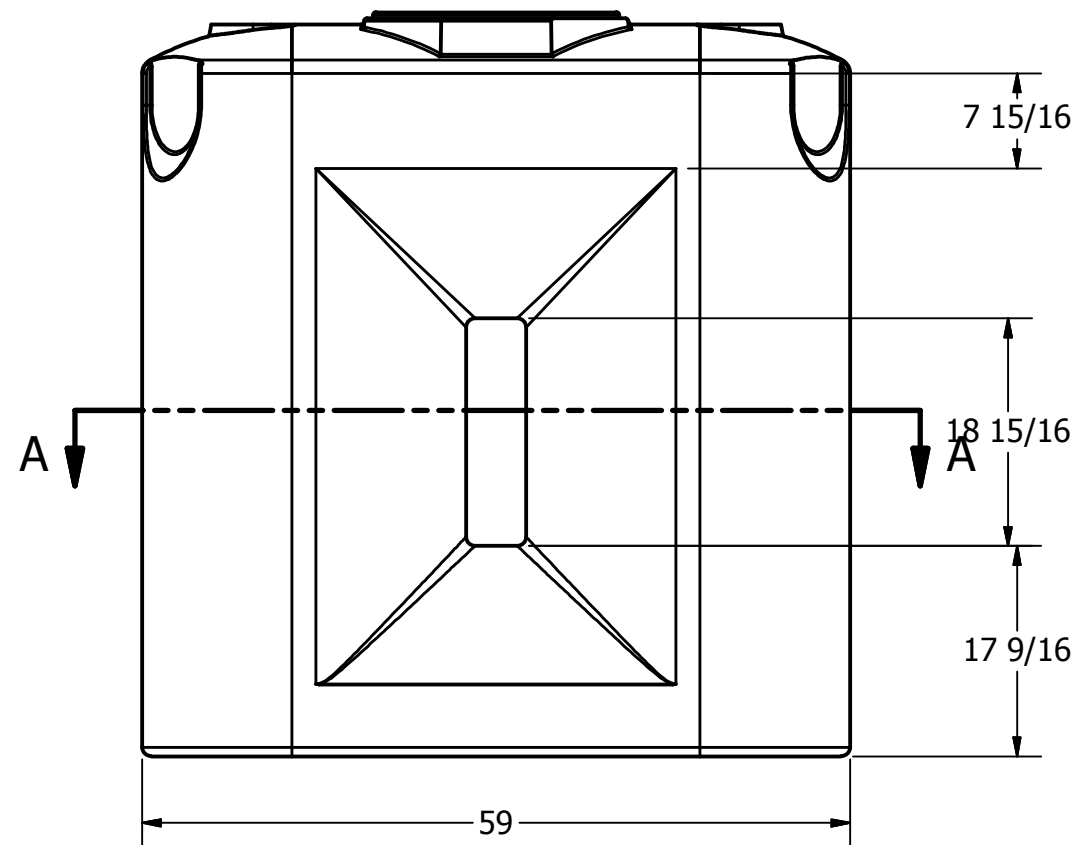
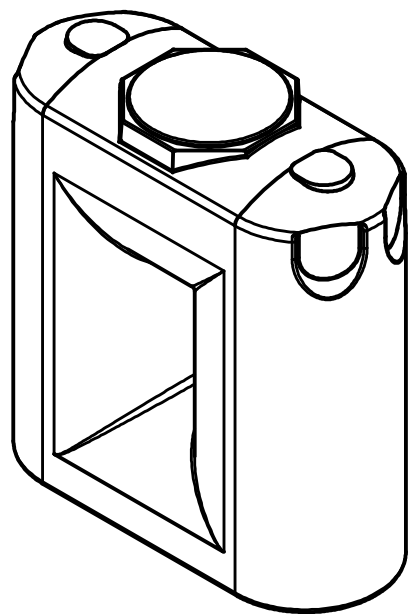



SECTION A-A  
SCALE 1 / 16



DRAWN Paulson	4/25/2017	 NORWESCO, INC. SAINT BONIFACIUS, MN TITLE		
CHECKED				
QA		SIZE	DWG NO	REV
MFG		B		
APPROVED		SCALE: 1/16		SHEET 1 OF 1