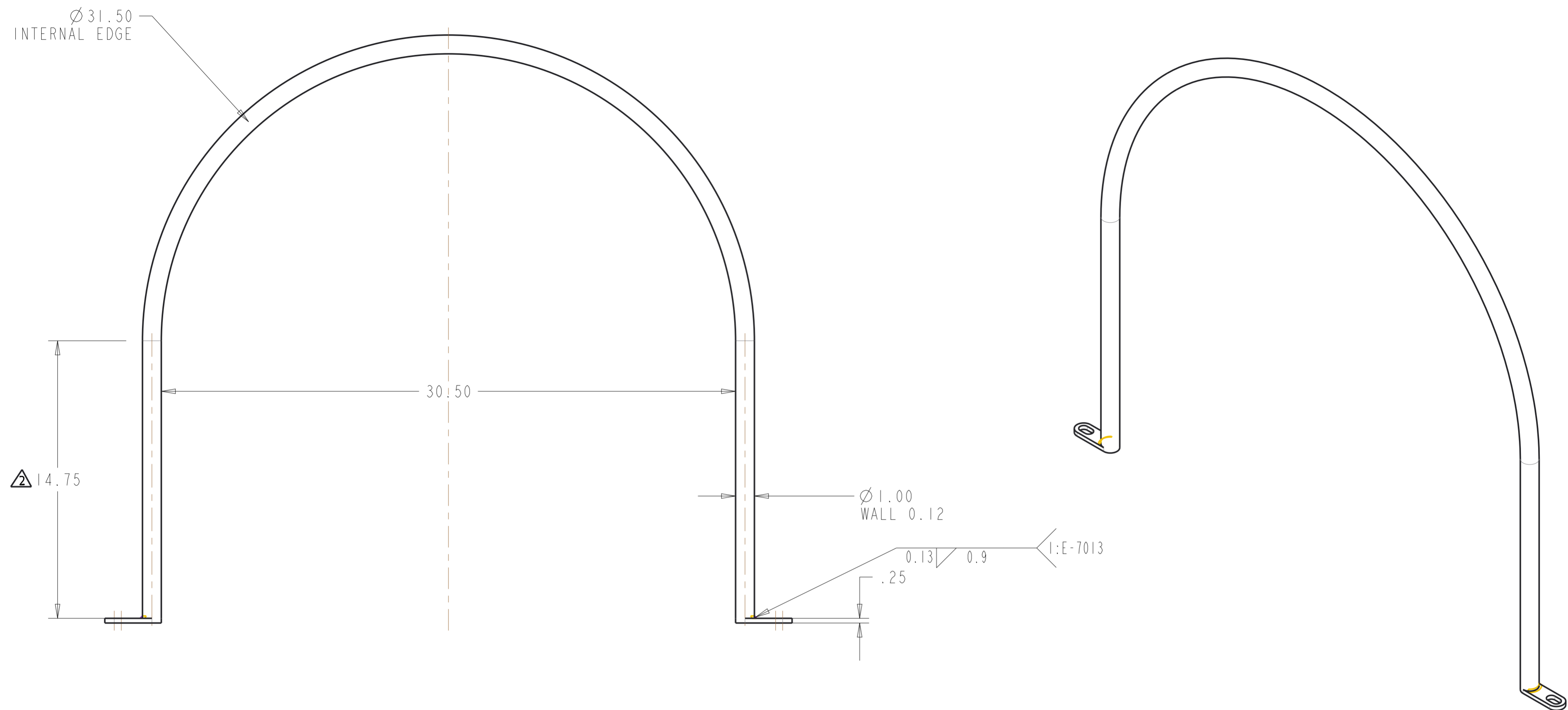



REV.	CHANGE DESCRIPTION	DATE	NAME	APPROVED



NOTES:
 1- ALL DIMENSIONS ARE IN DECIMAL INCHES
 TOLERANCES UNLESS OTHERWISE SPECIFIED
 DECIMAL: $\pm 0.125''$
 FRACTION: $\pm 1/4''$
 ANGLE: $\pm 2^\circ$

ESCALE: 0.25	SIZE: A2	DESIGNER BY: Ing. M. Elias	DATE: Sep-17-15	INNOVATION AND DEVELOPMENT CENTER 	MATERIAL: CARBON STEEL A-36
UNITS: INCH	PROJECTION: 1st Angle	REVIEWED BY: Ing. F. Guadarrama	DATE:		PROJECT: HORIZONTAL LEG TANKS USA
APPROVED BY: Ing. Joel Pérez	DATE:	RELEASED BY:	DATE:	DESCRIPTION: HOOP FOR 125 GALLON LEG TANK	REFERENCE DRAWING:
				CODE: R-E-1142	REV: 2