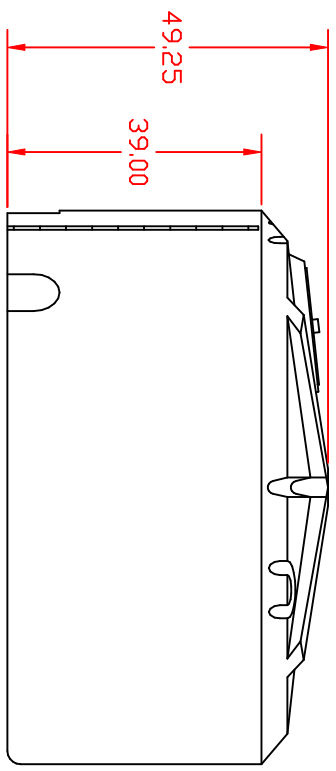
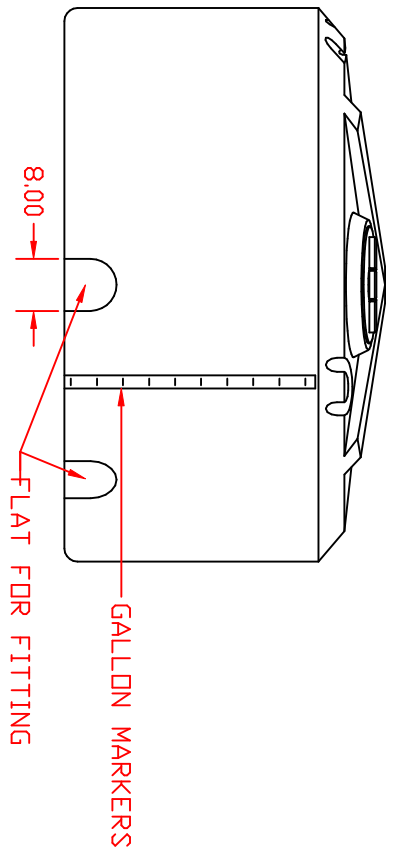
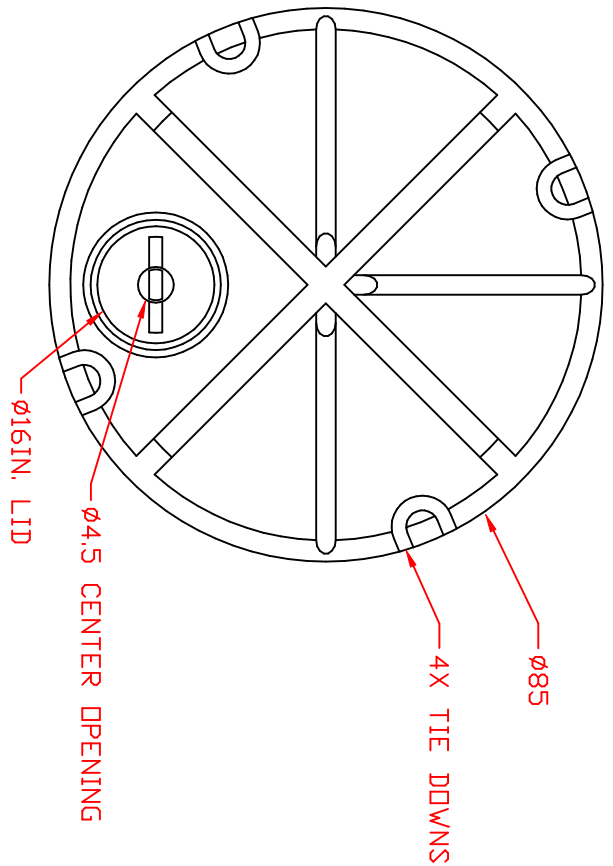



GV01050-85



DRAWN / DATE DHJ/1/23/03		MATERIAL / SHOT WEIGHT 175 LBS.		 Ace Roto-Mold A DIVISION OF DEN HARTOG INDUSTRIES, INC.	
APPRD. / DATE		NOTES: 1.5 SPECIFIC GRAVITY .245 NDM. WALL			
REV	DESCRIPTION	DATE APPRD.	THIRD ANGLE PROJECTION ANSI 14.5M	SCALE NONE	PART NO. GV01050-85
ALL DIMENSIONS ARE IN DECIMAL INCHES TOLERANCES UNLESS OTHERWISE SPECIFIED $\pm 1\% @ 68^{\circ}F$					