

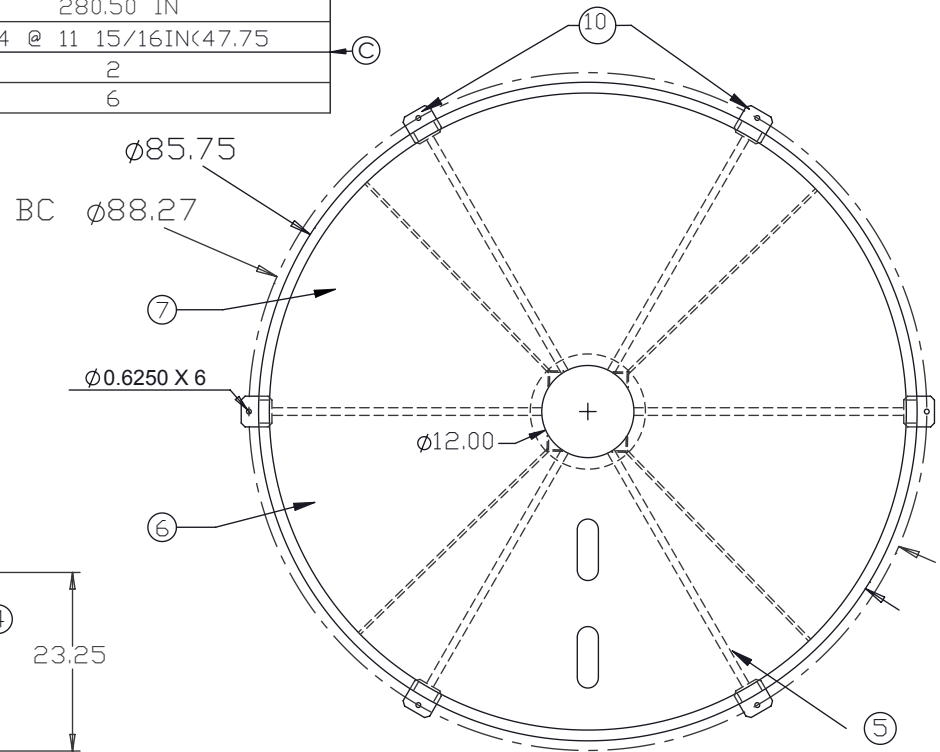
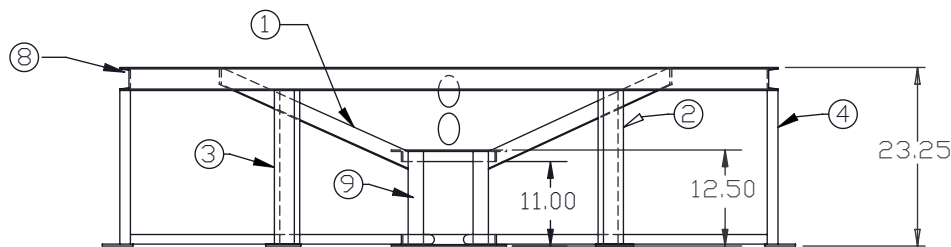
PROPRIETARY DATA

CB086-15ST

C

PROPERTY OF ACE ROTO-MOLD MFG., INC. INFORMATION FURNISHED HEREIN IS THE PROPERTY OF ACE ROTO-MOLD MFG., INC. AND SHALL NOT BE USED, DISCLOSED TO OTHERS, OR COPIED WITHOUT THE EXPRESSED WRITTEN CONSENT OF ACE ROTO-MOLD MFG., INC. ALL RIGHTS RESERVED.

KEY	PART NUMBER	MATERIAL	DESCRIPTION	QTY.
1	CB085-15ST-1	B03750x20000	3/8 X 2 MILD STEEL FLAT	141.00 IN, (4 @ 35.25 IN)
2	CB085-15ST-2	C03X4.1	3" MILD STEEL CHANNEL(LEFT)	1
3	CB085-15ST-3	C03X4.1	3" MILD STEEL CHANNEL(RIGHT)	1
4	CB085-15ST-4	C03X4.1	3" MILD STEEL CHANNEL	120.00 IN (6 @ 20.00 IN LEFT AND RIGHT LEGS INCLUDED)
5	CB085-15ST-5	P10000	1" SIZE TUBING	211.5 IN, (6 @ 35.25)
6	CB085-15ST-6	S-14GA	14 GA MILD STEEL SHEET(HOLES)	8448 SI, (2 @ 48" X 88")
7	CB085-15ST-7	S-14GA	14 GA MILD STEEL SHEET	8448 SI, (2 @ 48" X 88")
8	CB085-15ST-8	C03X4.1	3" MILD STEEL CHANNEL	280.50 IN
9	12521	12522	3/16" X 2" ANGLE	4 @ 11 15/16IN(47.75
		RAR-12	12" CONE BOTTOM RING	2
10	SJCB86-90ST-7	SJCB86/90ST-7	1/4" X 4" X 4" LEG PAD	6



C	12521 WAS SJCB85/90ST-2	ADH 12/7/07	1542	DRAWN / DATE ADH 6/19/07	MATERIAL
B	PN WAS CB085-15ST	NVE 7/31/06		APPRD. / DATE REH 6/28/07	
A	ADDED B.O.M.	NVE 5/17/06			
REV	DESCRIPTION	BY / DATE	CCN		
ALL DIMENSIONS ARE IN DECIMAL INCHES TOLERANCES UNLESS OTHERWISE SPECIFIED DECIMAL $\pm .125"$ FRACTION $\pm 1/4"$ ANGLE $\pm 1^\circ$				THIRD ANGLE PROJECTION ANSI 14.5M 	NOTES:



**Den Hartog**  
INDUSTRIES, INC.

Ace Roto-Mold Injection Molding Blow Molding Sowjoy  
4010 HOSPERS DRIVE S. BOX 425, HOSPERS, IOWA 51238-0421

DESCRIPTION	CONE BOTTOM STAND FOR $\phi 86"$ 15° TANKS	
SCALE	N.S.	PART NO. CB086-15ST