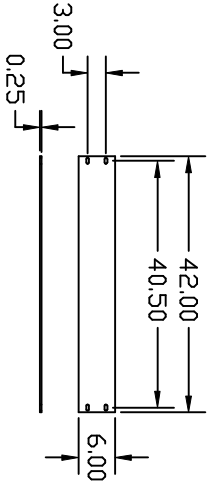
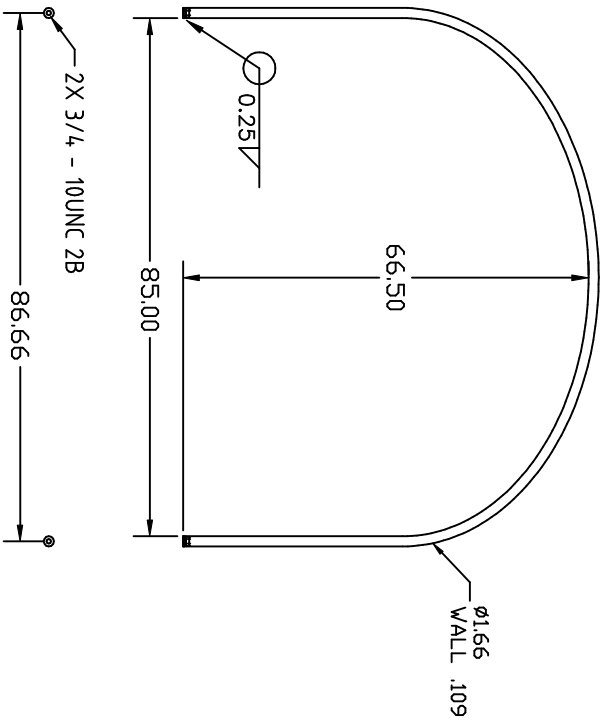


PROPRIETARY DATA

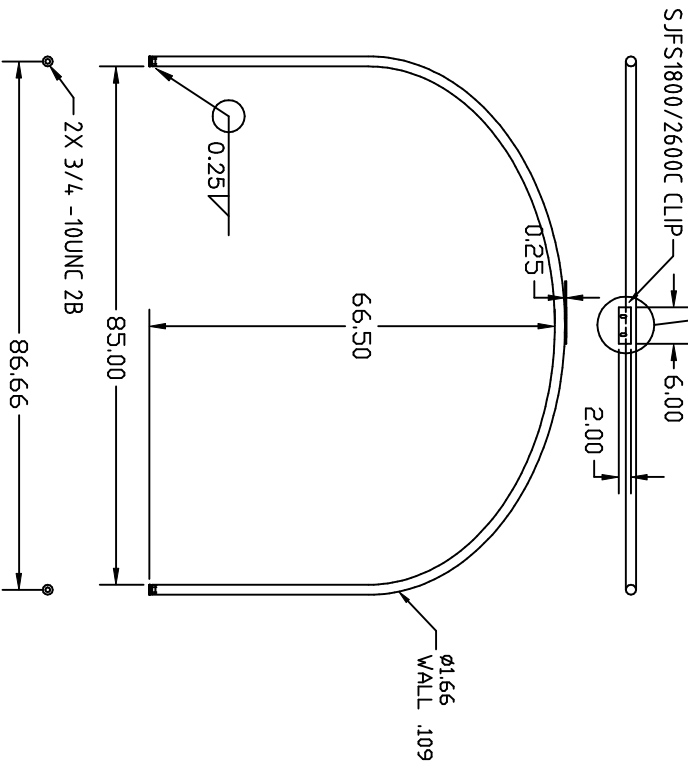
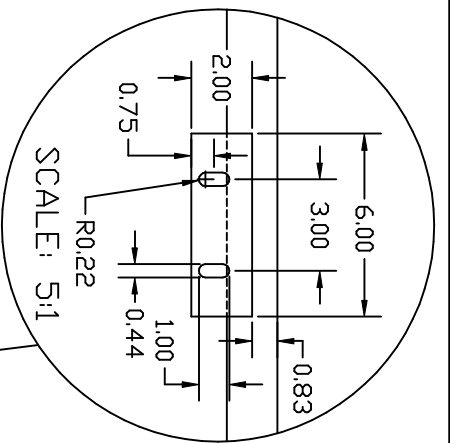
PROPERTY OF ACE ROTO-MOLD MFG., INC. INFORMATION FURNISHED HEREIN IS THE PROPERTY OF ACE ROTO-MOLD MFG., INC. AND SHALL NOT BE USED, DISCLOSED TO OTHERS, OR COPIED WITHOUT THE EXPRESSED WRITTEN CONSENT OF ACE ROTO-MOLD MFG., INC. ALL RIGHTS RESERVED.



PART # FS3200-CP
CONNECTOR PLATE



PART # FS3200-HPP
HOOP WITH INSERTS
2 REQUIRED



PART # FS3200-HPPC
HOOP WITH CLIP AND INSERTS
2 REQUIRED

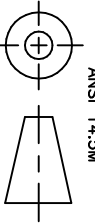
FS3200-HP

REV	DESCRIPTION	DATE	APPRD	DRAWN / DATE	DATE
				NVE 5/23/06	
				APPRD. / DATE	
				REH 5/24/06	

MATERIAL

MILD STEEL

THIRD ANGLE PROJECTION
ANSI 14.5M



- NOTES:
1. SINGLE HOOP WEIGHT: 29 LBS.
 2. BLACK COLOR POWDER COATED
 3. CONNECTOR PLATE WEIGHT: 18 LBS.



ACE ROTO-MOLD
A DIVISION OF DEN HARTOG INDUSTRIES, INC.
4018 HWY. 60 BLVD, BOX 421, HOSPERS, IOWA 51238

CLIENT / DESCRIPTION
HOOPS FOR 3200 GALLON FREE-STANDING
HORIZONTAL TANK

SCALE N.S. PART NO. FS3200-HP

ALL DIMENSIONS ARE IN DECIMAL INCHES
TOLERANCES UNLESS OTHERWISE SPECIFIED

+ 1% @ 68° F