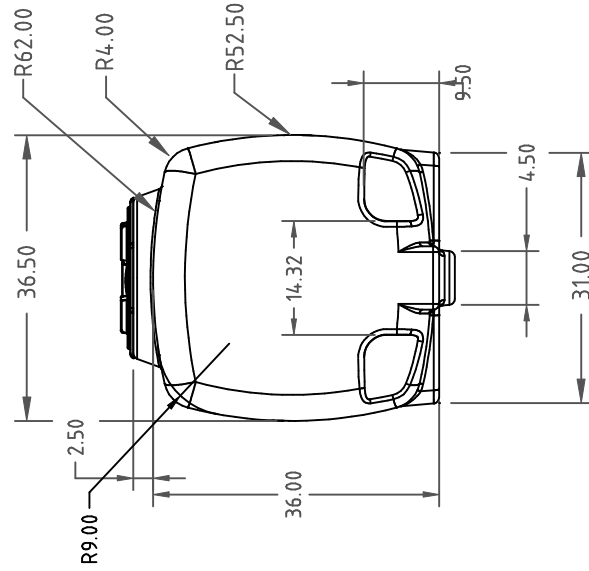
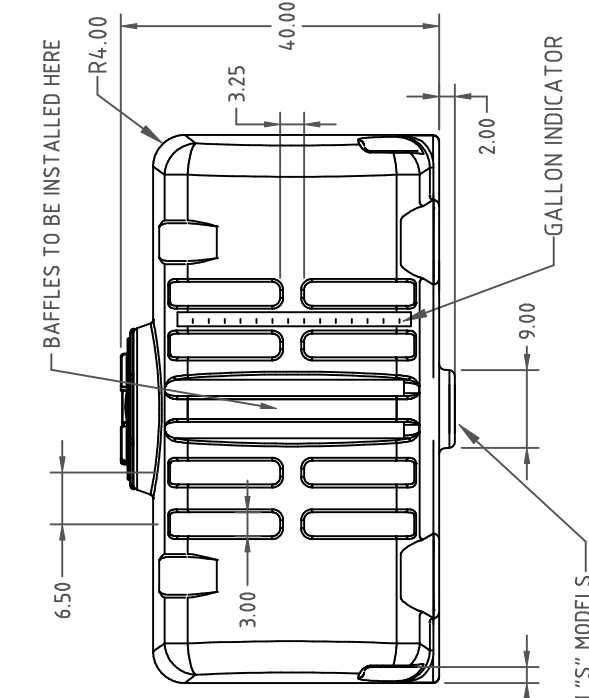
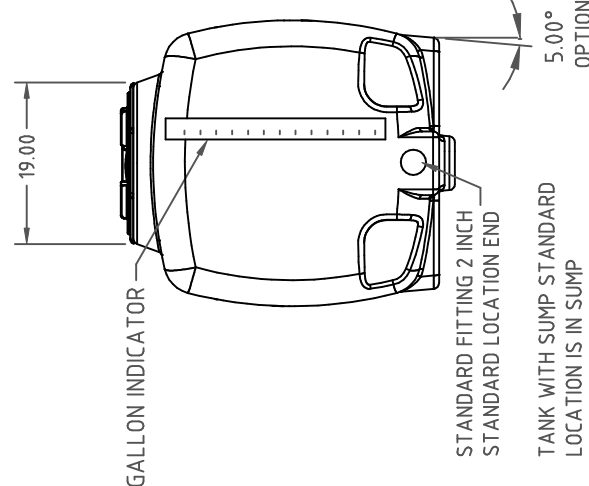
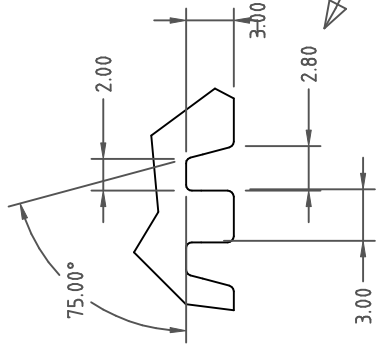
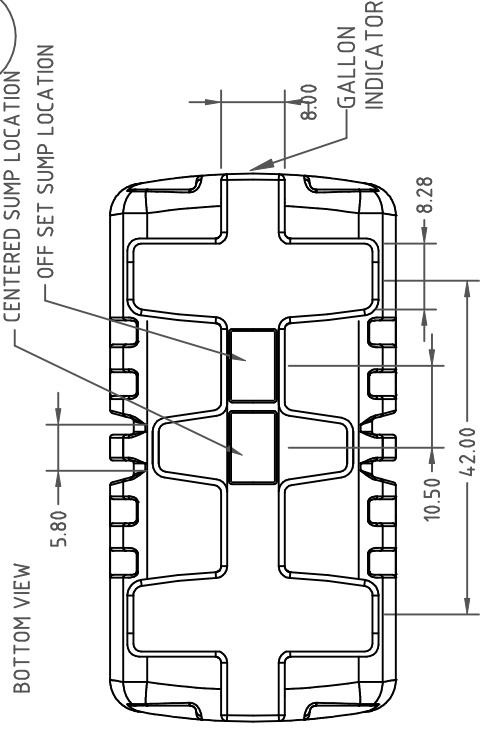
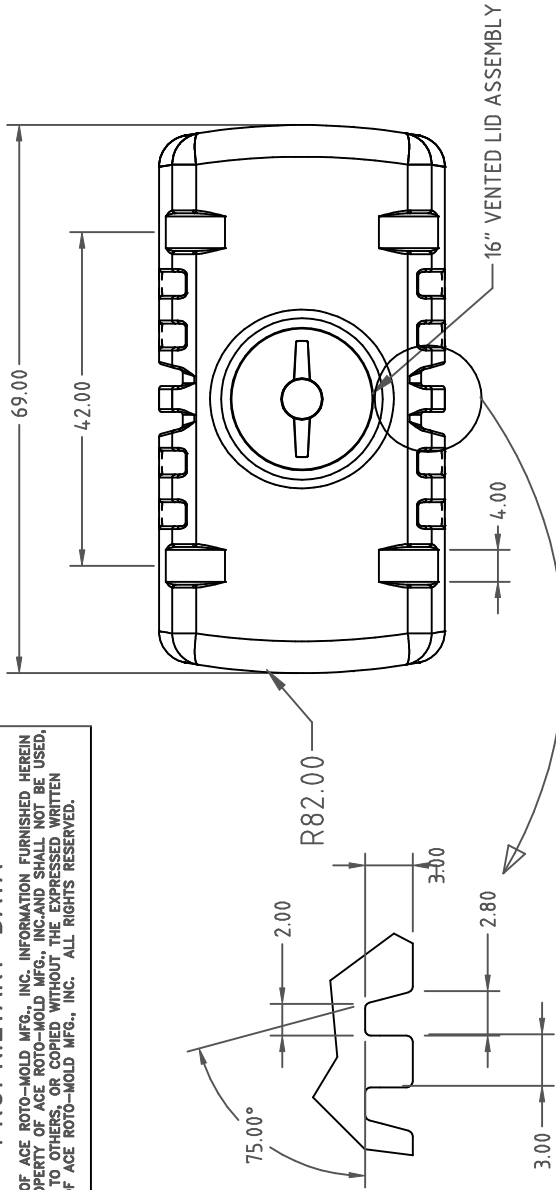


PROPRIETARY DATA

PROPERTY OF ACE ROTO-MOLD MFG., INC. INFORMATION FURNISHED HEREIN IS THE PROPERTY OF ACE ROTO-MOLD MFG., INC. AND SHALL BE USED, DISCLOSED TO OTHERS, OR COPIED WITHOUT THE EXPRESSED WRITTEN CONSENT OF ACE ROTO-MOLD MFG., INC. ALL RIGHTS RESERVED.

PC0300-37

B



OPTIONAL SUMP ON "S" MODELS
SPECIFY CENTERED OR OFFSET LOCATION

REV	DESCRIPTION	DATE	APPRD	DRAWN / DATE	MATERIAL	CLIENT / DESCRIPTION	
B	P.N./NOTE UPDATED	CCN 1533	ADH 11/29/07	REH / 10/11/02	134 LB. MOBIL 134	ACE ROTO MOLD A DIVISION OF DEN HARTOG INDUSTRIES, INC. 4010 HOSPERS DRIVE SOUTH, BOX 425, HOSPERS, IOWA 51238	
A	CLARIFY FITTING LOCATIONS	2/17/06		DHJ / 10/11/02			
						300 GALLON PCO TANK	
ALL DIMENSIONS ARE IN DECIMAL INCHES TOLERANCES UNLESS OTHERWISE SPECIFIED + .5% @ 68° F				NOTES: 1. NATURAL COLOR 2. NOM. WALL .320			SCALE N.S. PART NO. PC0300-37S (SUMP) PC0300-37W (NO SUMP)

