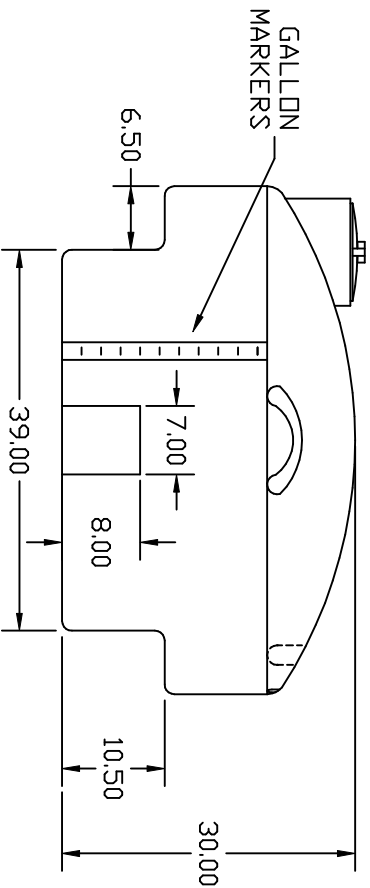
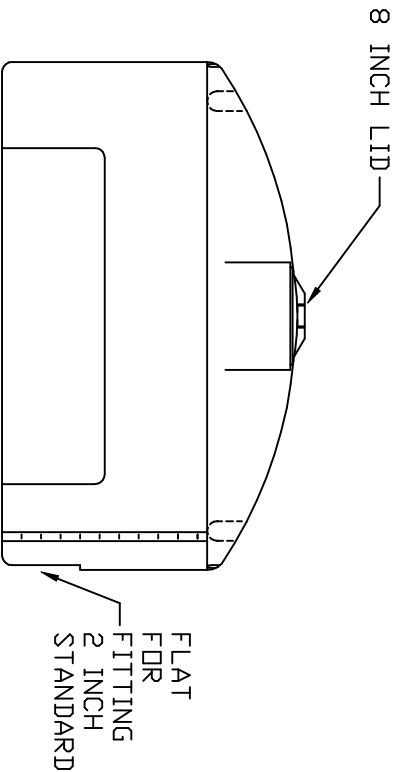


3x TIE DOWNS



REV	DESCRIPTION	DATE APPRD.	

DRAWN / DATE
DHJ / 4/24/03
APPRD. / DATE

MATERIAL / SHOT WEIGHT
POLYETHYLENE
54 LBS.

Ace Roto-Mold
A DIVISION OF DEN HARTOG INDUSTRIES, INC.

CLIENT / DESCRIPTION
200 GALLON PICKUP TANK

NOTES:
SCALE NONE
PART NO. PU0200-52

ALL DIMENSIONS ARE IN DECIMAL INCHES
TOLERANCES UNLESS OTHERWISE SPECIFIED
± 1% @ 68° F

