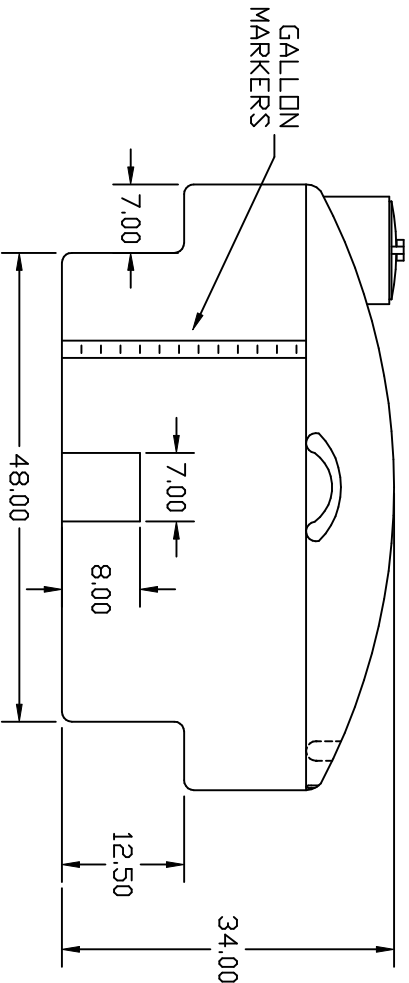
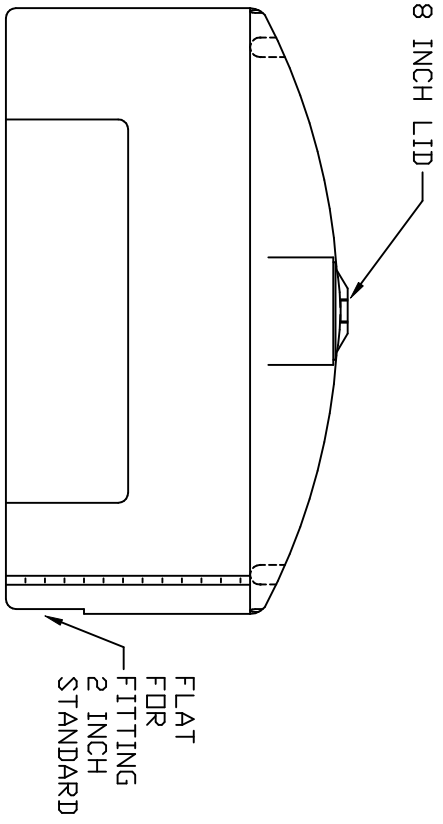
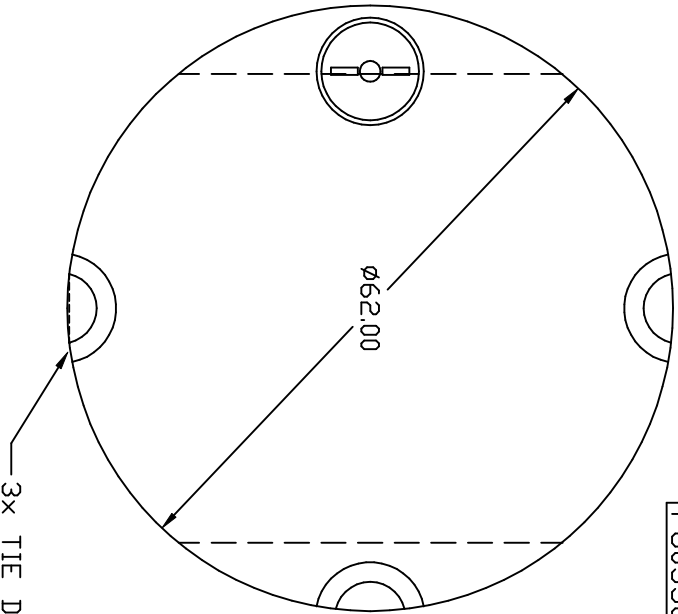


PU0350-62



DRAWN / DATE	DHJ / 4/24/03
APPRD. / DATE	
REV	
DESCRIPTION	
DATE APPRD.	

MATERIAL / SHOT WEIGHT  
 POLYETHYLENE  
 92 LBS.

**Ace Roto-Mold**  
 A DIVISION OF DEN HARTOG INDUSTRIES, INC.

CLIENT / DESCRIPTION  
 350 GALLON PICKUP TANK

ALL DIMENSIONS ARE IN DECIMAL INCHES  
 TOLERANCES UNLESS OTHERWISE SPECIFIED  
 ± 1% @ 68° F

THIRD ANGLE PROJECTION  
 ANSI 14.5M

NOTES:

SCALE NONE  
 PART NO. PU0350-62