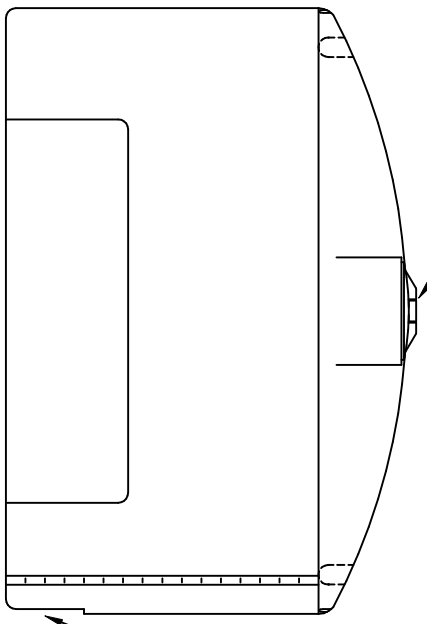


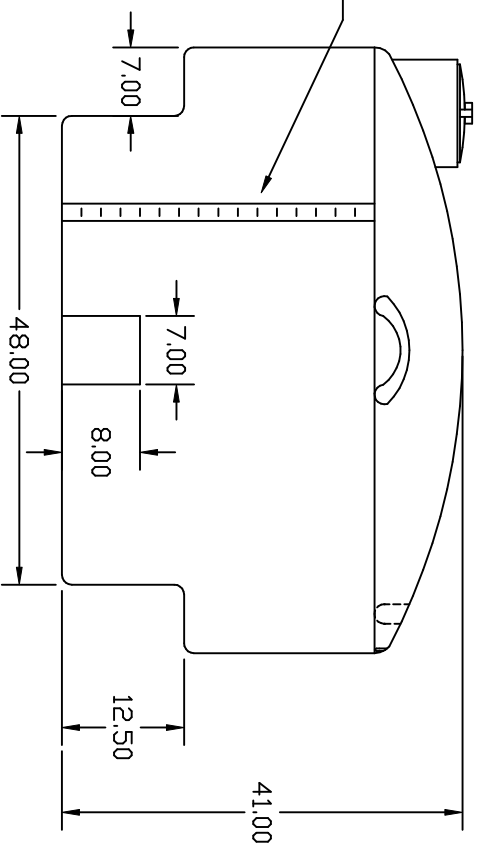
PU0450-62

8 INCH LID

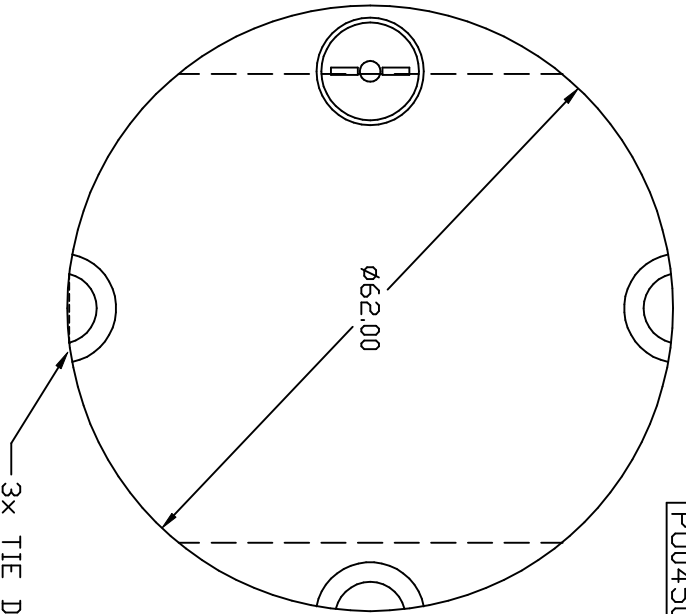
FLAT FITTING FOR 2 INCH STANDARD



GALLON MARKERS



3x TIE DOWNS



DRAWN / DATE

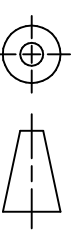
DHJ / 4/24/03

APPRD. / DATE

DATE APPRD.

THIRD ANGLE PROJECTION

ANSI 14.5M



MATERIAL / SHOT WEIGHT

POLYETHYLENE

102 LBS.

NOTES:



Ace Roto-Mold

A DIVISION OF DEN HARTOG INDUSTRIES, INC.

CLIENT / DESCRIPTION

450 GALLON PICKUP TANK

SCALE

NONE

PART NO.

PU0450-62

REV DESCRIPTION DATE APPRD.

ALL DIMENSIONS ARE IN DECIMAL INCHES TOLERANCES UNLESS OTHERWISE SPECIFIED

± 1% @ 68° F