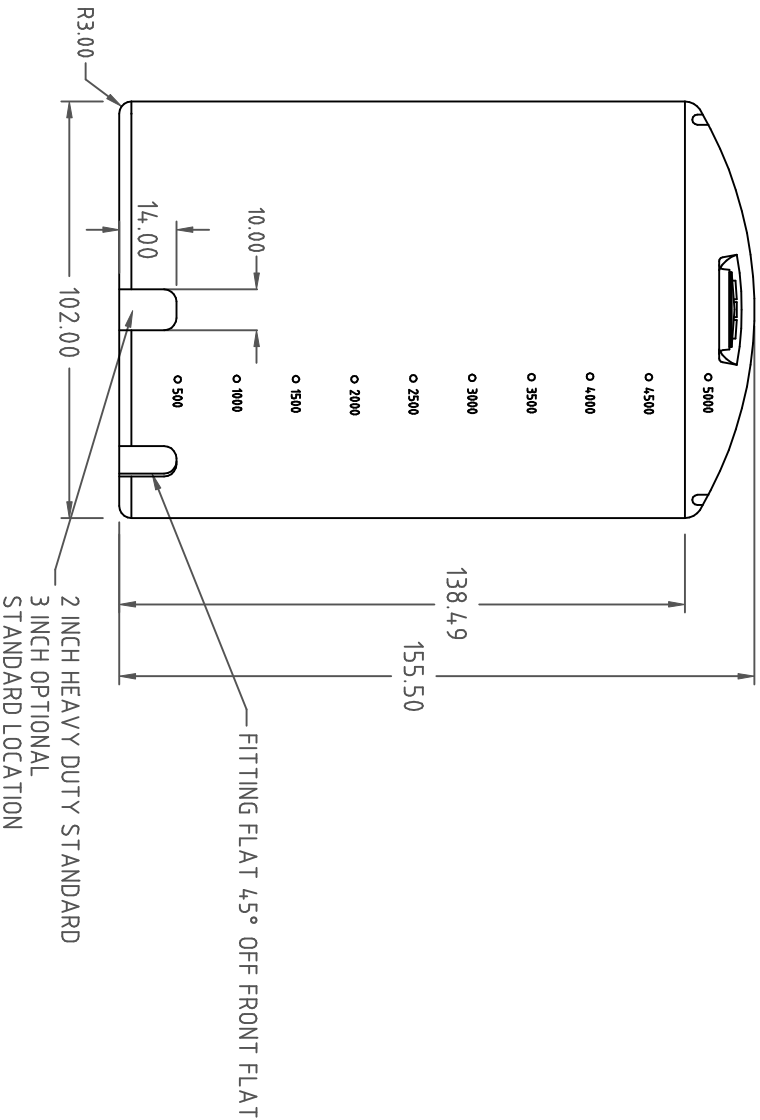
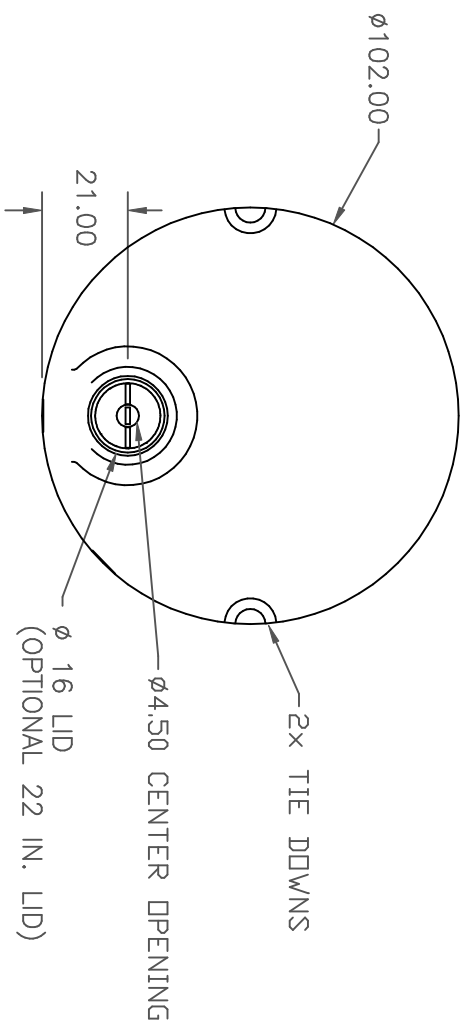


Copyright: All information furnished within this document, electronic file or design correspondence is the property of Den Hartog Industries, Inc. and shall not be used, disclosed to others or copied without the expressed written consent of Den Hartog Industries, Inc.



REV		DESCRIPTION		BY / DATE		THIRD ANGLE PROJECTION ANSI 14.3M		DRAWN / DATE		MATERIAL		DESCRIPTION		SCALE						
A		ADD WALL THICKNESS		DHJ 5/7/09		CCN		DHJ 3/6/09		HDPE DR EQUIVALENT		5000 GALLON VERTICAL TANK		N.S.						
ALL DIMENSIONS ARE IN DECIMAL INCHES TOLERANCES UNLESS OTHERWISE SPECIFIED POLYETHYLENE METAL DECIMAL ± .125" FRACTION ± 1/4" ANGLE ± 1°													SHOOT WEIGHT: 1300		APPRD. / DATE		NOTES:		PART NO.	
FINISH:													REH 4/3/09		1. WHITE, BLACK, OR YELLOW 2. 0.76 WALL @ FLAT		VT5000-102			
FINISH:													SHIPPING WEIGHT: 1302		Den Hartog INDUSTRIES, INC. Ace Roto-Mold Injection Molding Blow Molding Sow-Joy 4010 HOSPERS DRIVE S. BOX 425, HOSPERS, IOWA 51238-0421		VT5000-102			