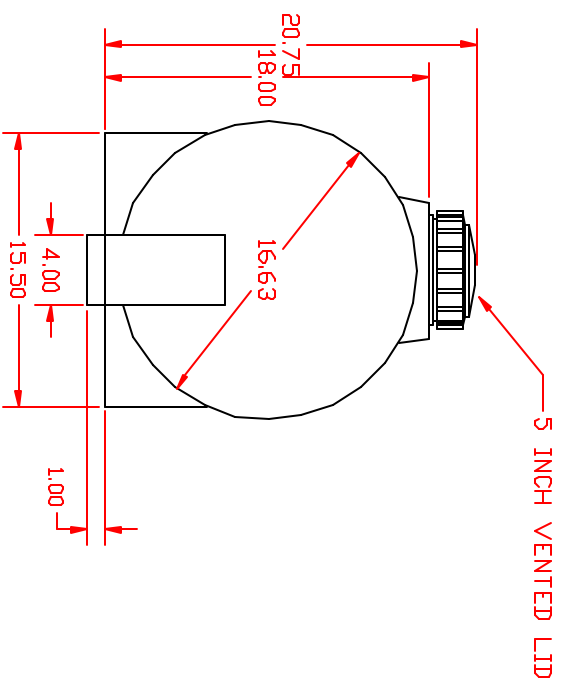
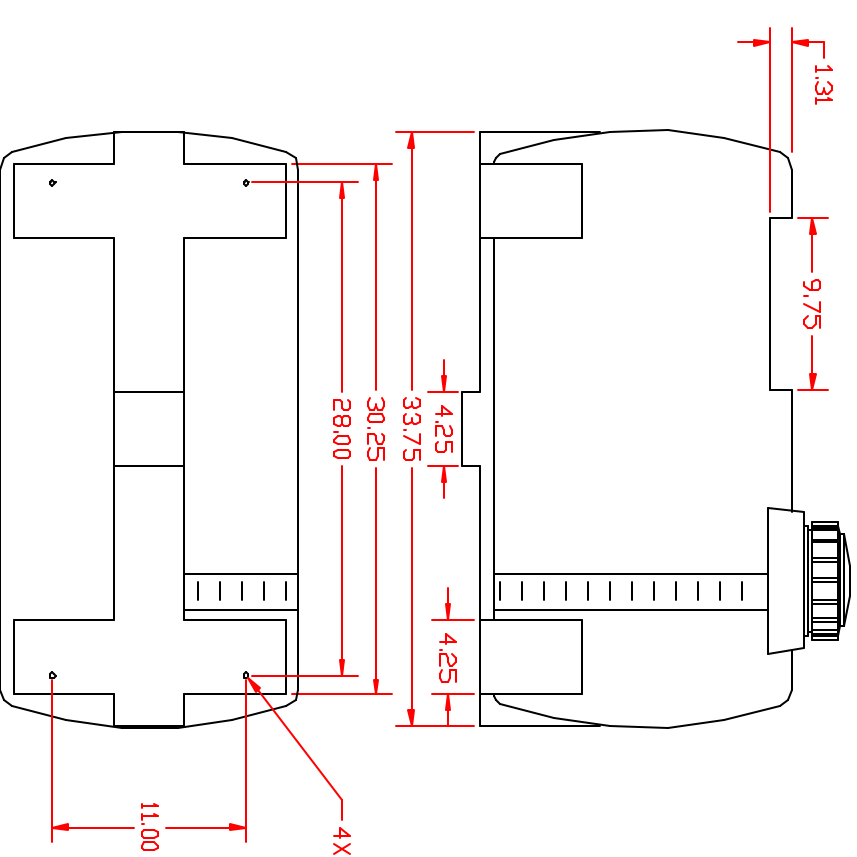
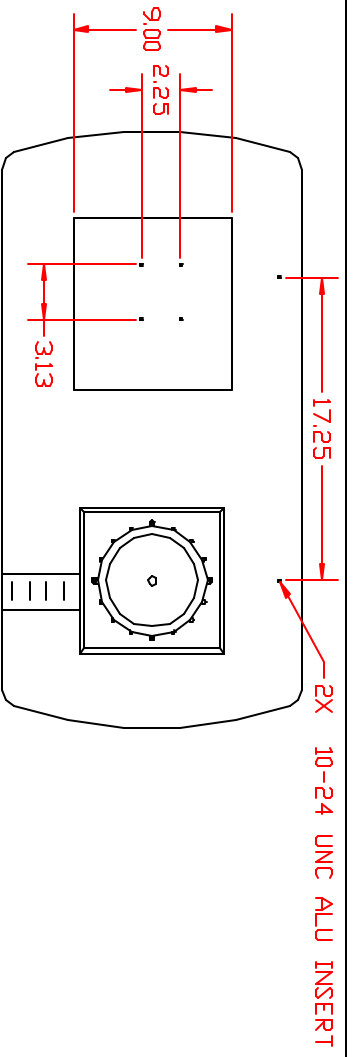


FM0025-16S



REV		DESCRIPTION	DATE	APPRD.	DRAWN / DATE	APPRD. / DATE	MATERIAL / SHOT WEIGHT	THIRD ANGLE PROJECTION ANSI 14.5M	NOTES:	CLIENT / DESCRIPTION	SCALE	PART NO.
					DHJ/1/8/03		POLYETHYLENE 13 LBS.		1.00M. WALL .150		NONE	FM0025-16S
<p>ALL DIMENSIONS ARE IN DECIMAL INCHES TOLERANCES UNLESS OTHERWISE SPECIFIED ± 1% @ 68° F</p> <p>Ace Roto-Mold A DIVISION OF DEN HARTOG INDUSTRIES, INC.</p> <p>25 GALLON LEG TANK WITH SUMP</p>												