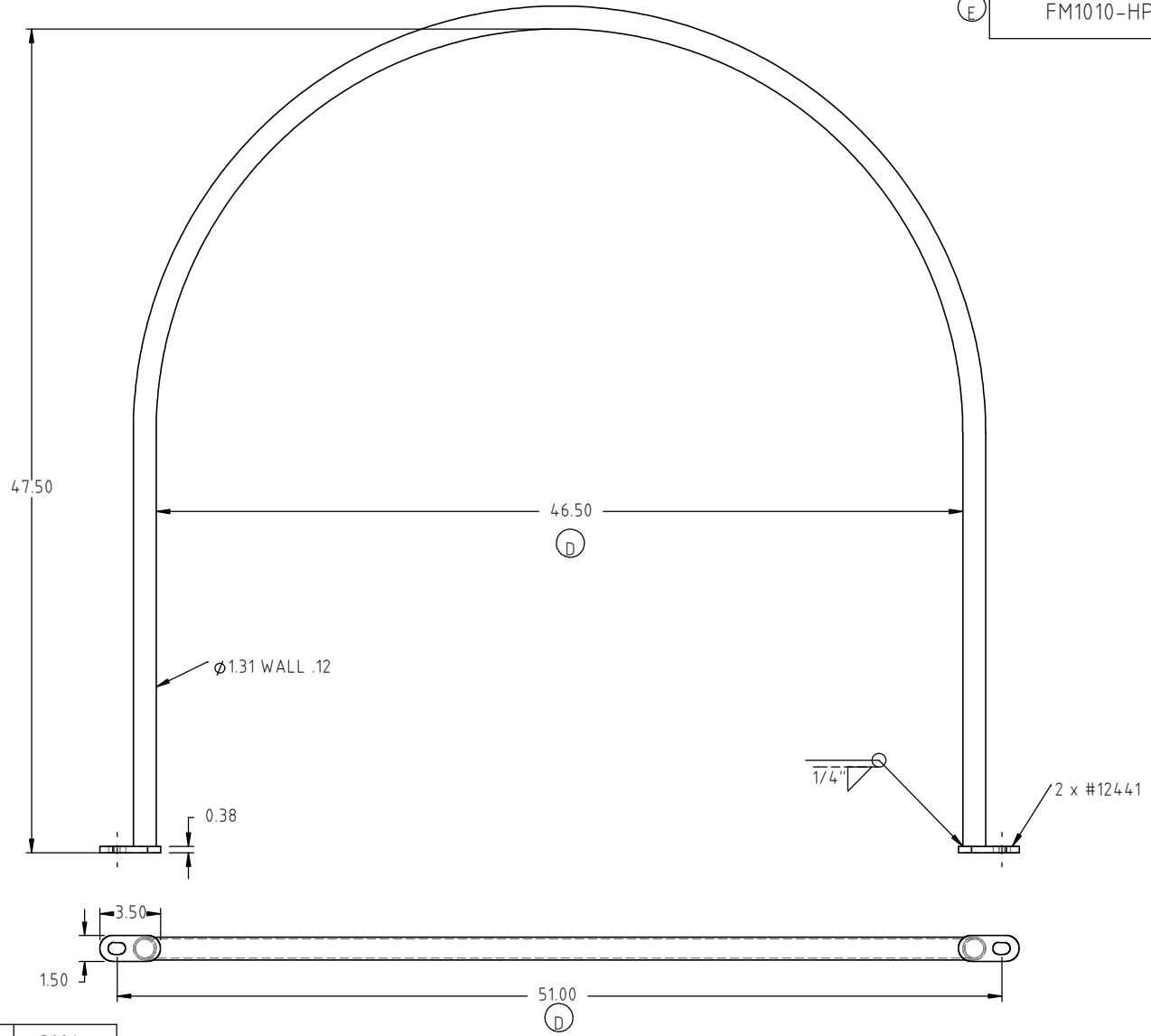


© DEN HARTOG INDUSTRIES, INC.

Copyright. All information furnished within this document, electronic file or design correspondence is the property of Den Hartog industries, Inc. and shall not be used, disclosed to others or copied without the expressed written consent of Den Hartog Industries, Inc.

FM1010-HPS

E



E	FM1010-HPS WAS FS1010-HPS	ADH 3/4/15	3026
D	46.50" WAS 45.00", 51.00" WAS 49.50"	ADH 2/24/15	3020
C	WEIGHT WAS 17.50 LB	REH 11/13/08	1749
B	TOLERANCE WAS 1% @ 68°F	GWC 3/16/07	
A	REVISE FOOT	3/6/07	
REV	DESCRIPTION	BY / DATE	CCN

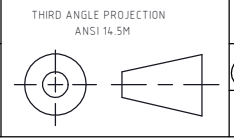
DRAWN / DATE	MATERIAL
DHJ 1/29/03	
APPRD. / DATE	
ADH 11/9/07	MILD STEEL



Den Hartog
INDUSTRIES, INC.

Ace Roto-Mold Injection Molding Blow Molding Sowjoy
4010 HOSPERS DRIVE S. BOX 425, HOSPERS, IOWA 51238-0425

ALL DIMENSIONS ARE IN DECIMAL INCHES TOLERANCES UNLESS OTHERWISE SPECIFIED	
POLYETHYLENE	METAL
±1% @ 68°F	DECIMAL ± .125" FRACTION ± 1/4" ANGLE ± 1°



SHOT WEIGHT:
SHIPPING WEIGHT: 14.00 LBS.
FINISH: BLACK COLOR POWDER COATED

NOTES:
1.) 4 REQUIRED
2.) BLANK LENGTH 122.00"

DESCRIPTION	HOOP FOR 1010 GALLON LEG TANK
SCALE	N.S.
PART NO.	FM1010-HPS