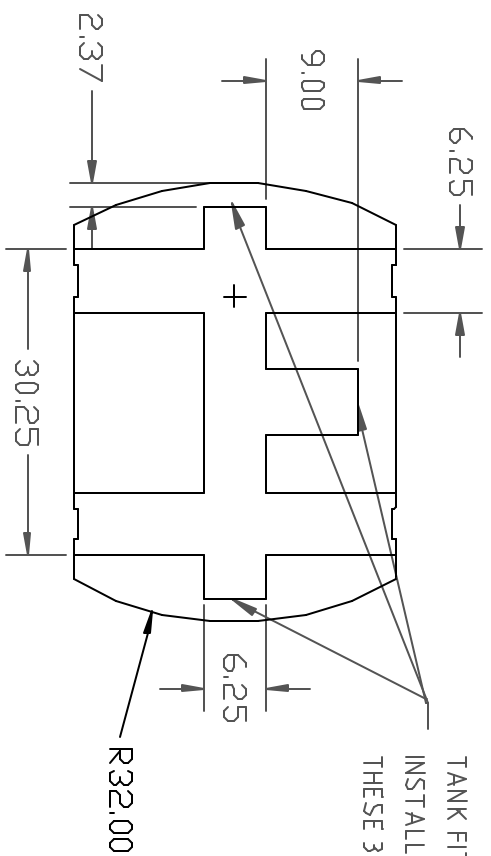
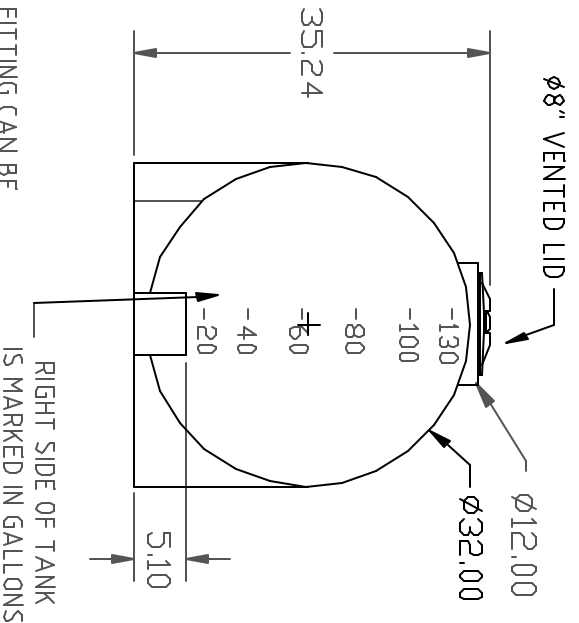
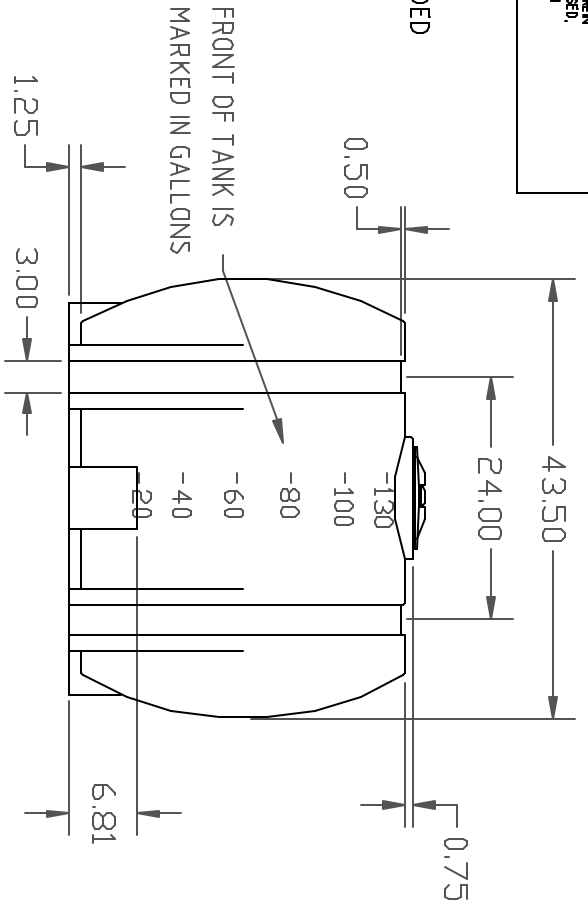


PROPRIETARY DATA

PROPERTY OF ACE ROTO-MOLD PEG, INC. INFORMATION FURNISHED HEREIN IS THE PROPERTY OF ACE ROTO-MOLD PEG, INC. AND SHALL NOT BE USED, DISCLOSED TO OTHERS, OR COPIED WITHOUT THE EXPRESSED WRITTEN CONSENT OF ACE ROTO-MOLD PEG, INC. ALL RIGHTS RESERVED.

FS0125-32

1. SPECIFIC GRAVITY IS 1.75
2. 1 PIECE ROTATIONALLY MOLDED
3. TRANSLUCENT
4. FDA APPROVED RESIN
5. CALIBRATED IN GALLONS
6. THREE YEAR WARRANTY
7. UV STABILIZED
8. FREE STANDING

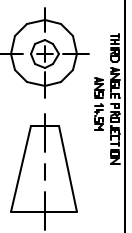


TANK FITTING CAN BE INSTALLED IN ANY OF THESE 3 SUMP LOCATIONS

REV	DESCRIPTION	DATE	APPRO	DRAWN / DATE	MATERIAL
				DHJ 3/11/94	
				APPRO. / DATE	
				xxxxxxx	
				THIRD ANGLE PROJECTION	
				AND 1/54	
				HERE OR EQUIVALENT REFERENCE MATERIAL DATA SHEET FOR SPECIFIC PROPERTIES.	
				NOTES:	
				1. SHOT WEIGHT 56 LBS.	
				2. BLACK, GREEN, WHITE	
				DR YELLOW COLOR	
				CLIENT / DESCRIPTION	
				125 GALLON LEG TANK	

Ace Roto-Mold
 A DIVISION OF DECA HARTCO INDUSTRIAL CORP.
 4018 HWY. 60 BLVD., BOX 421, HOSPERS, IOWA 5238

ALL DIMENSIONS ARE IN DECIMAL INCHES
 TOLERANCES UNLESS OTHERWISE SPECIFIED
 ± 1% @ 68° F



SCALE	PART NO.
N.S.	FS0125-32