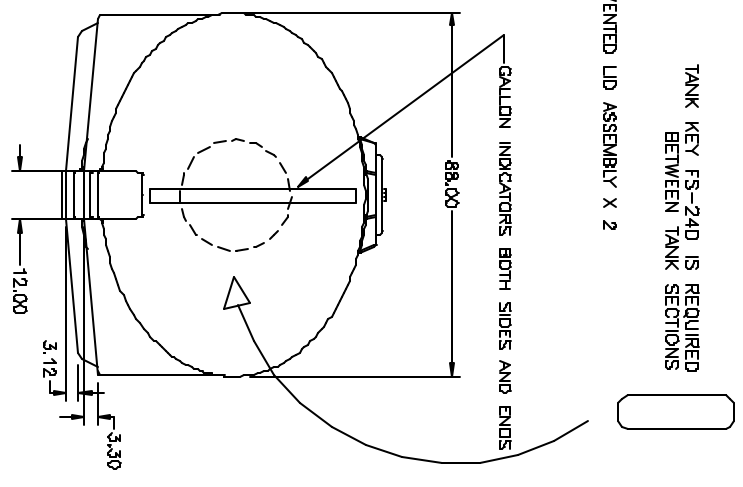
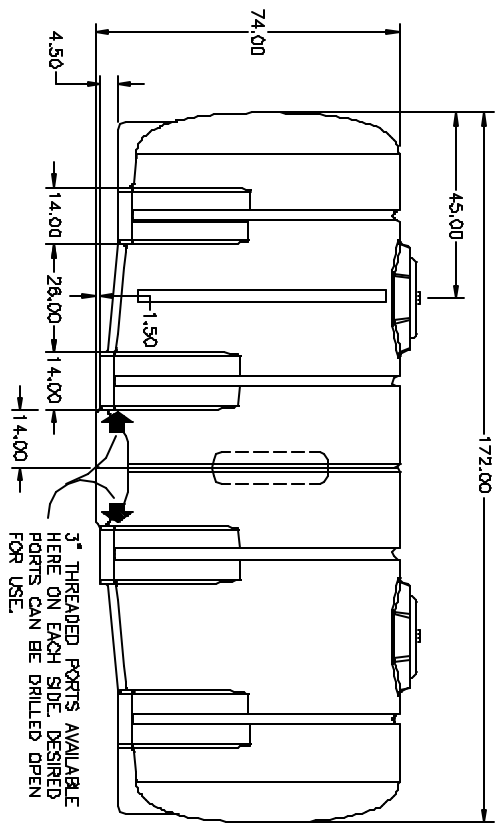
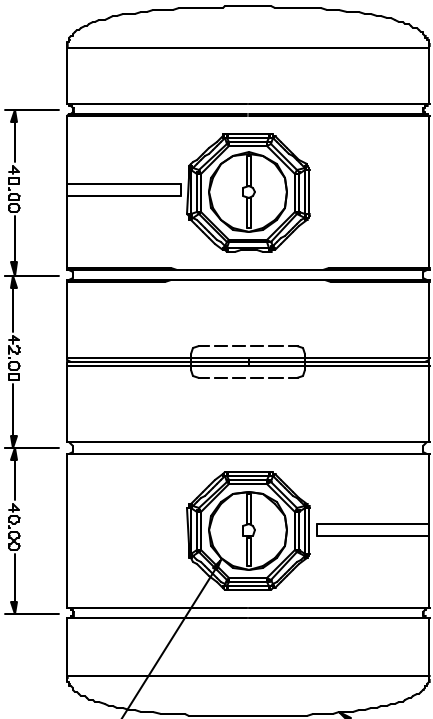


PROPRIETARY DATA

PROPERTY OF ACE ROTO-MOLD MFG., INC. INFORMATION FURNISHED HEREIN IS THE PROPERTY OF ACE ROTO-MOLD MFG., INC. AND SHALL NOT BE USED, DISCLOSED TO OTHERS, OR COPIED WITHOUT THE EXPRESSED WRITTEN CONSENT OF ACE ROTO-MOLD MFG., INC. ALL RIGHTS RESERVED.

FS3200-2S



REV	DESCRIPTION	DATE	APPRD.

DRAWN / DATE	APPRD. / DATE	MATERIAL:
REH/03/02/01	REH/03/02/01	HDPE

CLIENT / DESCRIPTION
 3200 GAL. SECTIONAL TANK

ALL DIMENSIONS ARE IN DECIMAL INCHES
 TOLERANCES UNLESS OTHERWISE SPECIFIED
 + 1% ± 68" F

NOTES:
 1. AVAILABLE IN NATURAL OR YELLOW COLOR.
 2. NOM. WALL -.450

SCALE N.S.
 PART NO. FS3200-2S

ACE ROTO-MOLD

A DIVISION OF DEN HARTOG INDUSTRIES, INC.
 4010 HWY. 60 BLVD., BOX 425 HOESERS, IOWA 51238