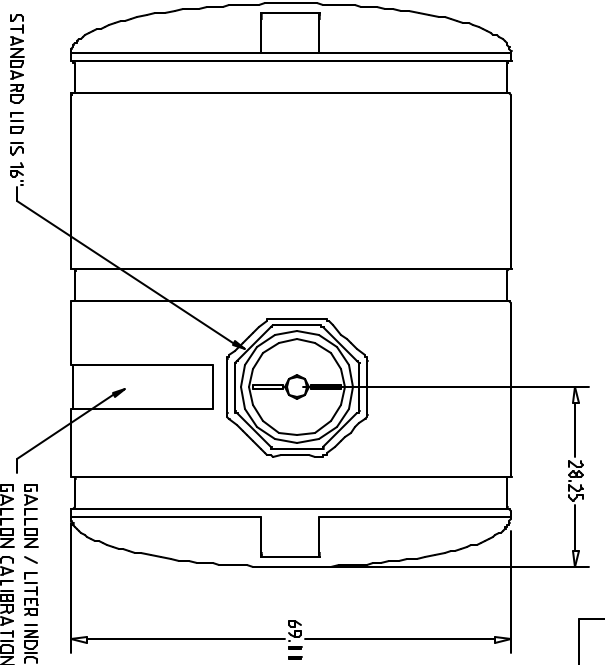
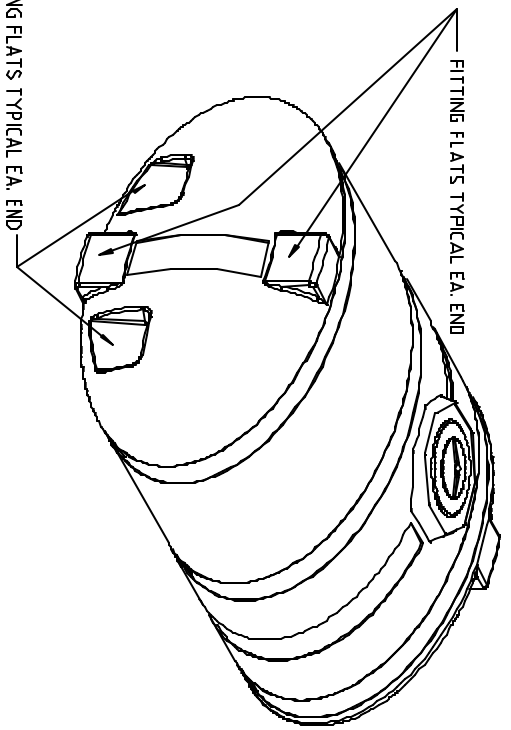
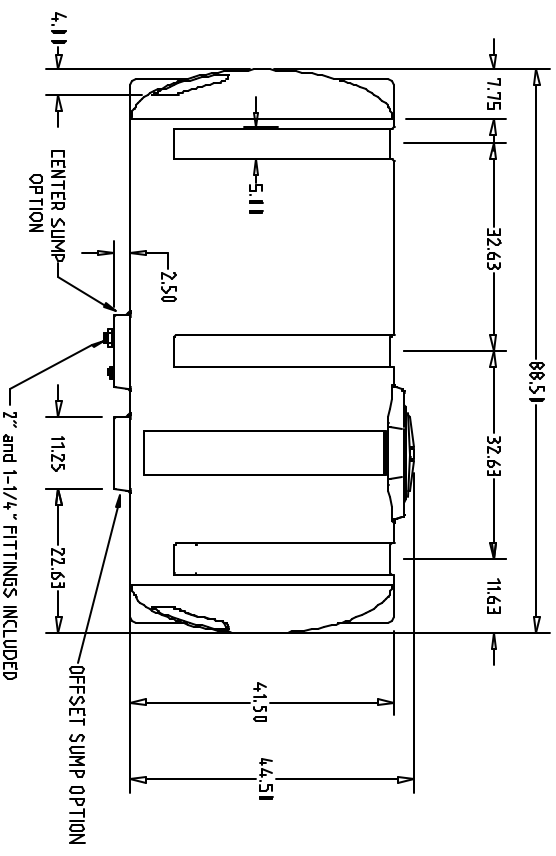
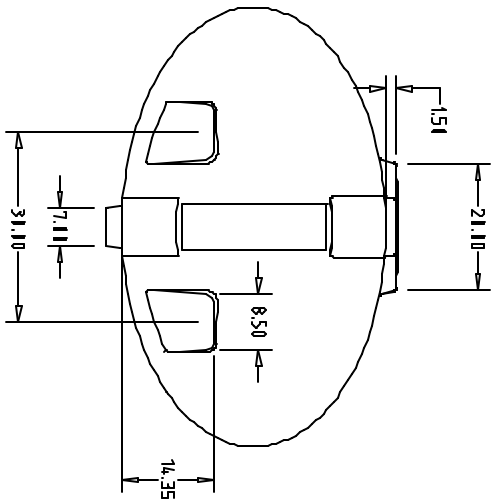


HE0750-69



GALLON / LITER INDICATORS ONE SIDE AND ONE END  
GALLON CALIBRATIONS ARE IN 50 GAL. INCREMENTS



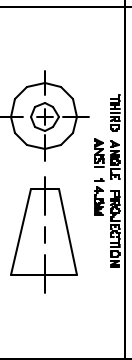
REV	DESCRIPTION	DATE	APPRD	DRAWN / DATE	REH/2/14/02
				APPRD. / DATE	REH/2/14/02

MATERIAL	SHOT WEIGHT
M111 M134 US25 P938	220


  
**Ace Roto-Mold**
  
 A DIVISION OF DEN HARTOG INDUSTRIERING

CLIENT / DESCRIPTION: ACE 750 GALLON ELLIPTICAL TANK

ALL DIMENSIONS ARE IN DECIMAL INCHES  
 TOLERANCES UNLESS OTHERWISE SPECIFIED  
 ± .05 @ 88° F



NOTES:  
 1. .330 NOMINAL WALL

SCALE	N.S.	PART NO.	HE0750-69
-------	------	----------	-----------