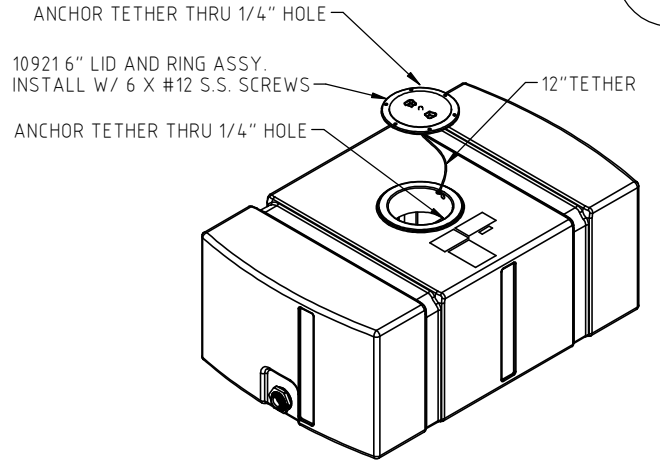
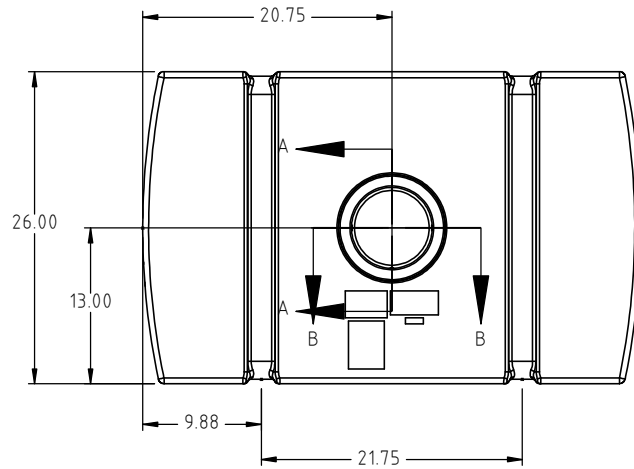
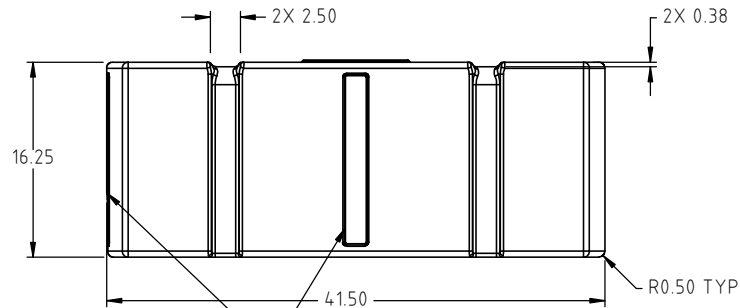
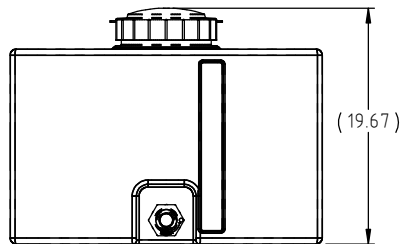


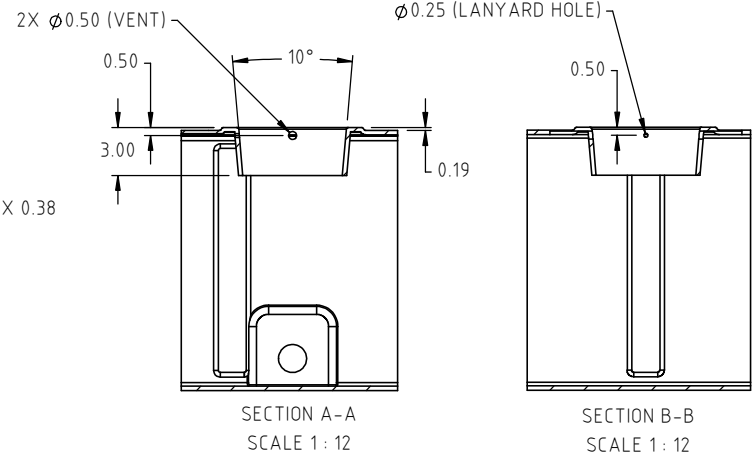
Copyright. All information furnished within this document, electronic file or design correspondence is the property of Den Hartog Industries, Inc. and shall not be used, disclosed to others or copied without the expressed written consent of Den Hartog Industries, Inc.



SHOWN WITH OPTIONAL 7" LID



GALLON MARKER THIS SIDE AND END. CALIBRATIONS IN 5 GALLON INCREMENTS



D	ADDED NOTE REGARDING CAPACITY	BPL	6/14/2021	4140	DRAWN / DATE	MATERIAL :
C	5", 7", AND 8" LID ADDED	REH	06/07/2010	2036	REH 10/21/2001	SEE COMPONENTS
B	PART NUMBER UPDATED	ADH	08/19/2008	1700	APPRD. / DATE	
REV.	DESCRIPTION	BY	DATE	CCN	DHJ 10/21/2001	
ALL DIMENSIONS ARE IN DECIMAL INCHES TOLERANCES UNLESS OTHERWISE SPECIFIED		THIRD ANGLE PROJECTION ANSI 14.5M		SHOT WEIGHT: 40 LBS		NOTES:
POLYETHYLENE		METAL		SHIPPING WEIGHT: 42 LBS		
±1% @ 68°F		DECIMAL ± .125" FRACTION ± 1/4" ANGLE ± 1°		FINISH:		CAPACITY: 60 GAL AT AIR VENT NOMINAL WALL THICKNESS: 0.270"



Den Hartog INDUSTRIES, INC.

Ace Roto-Mold • Injection Molding • Blow Molding • Sowjoy
4010 HOSPERS DRIVE S. BOX 425, HOSPERS, IOWA 51238-0425

DESCRIPTION 68 GALLON RECTANGULAR TANK		
SCALE N.S.	PART NO. LP0068-RT	SHEET 1 OF 1