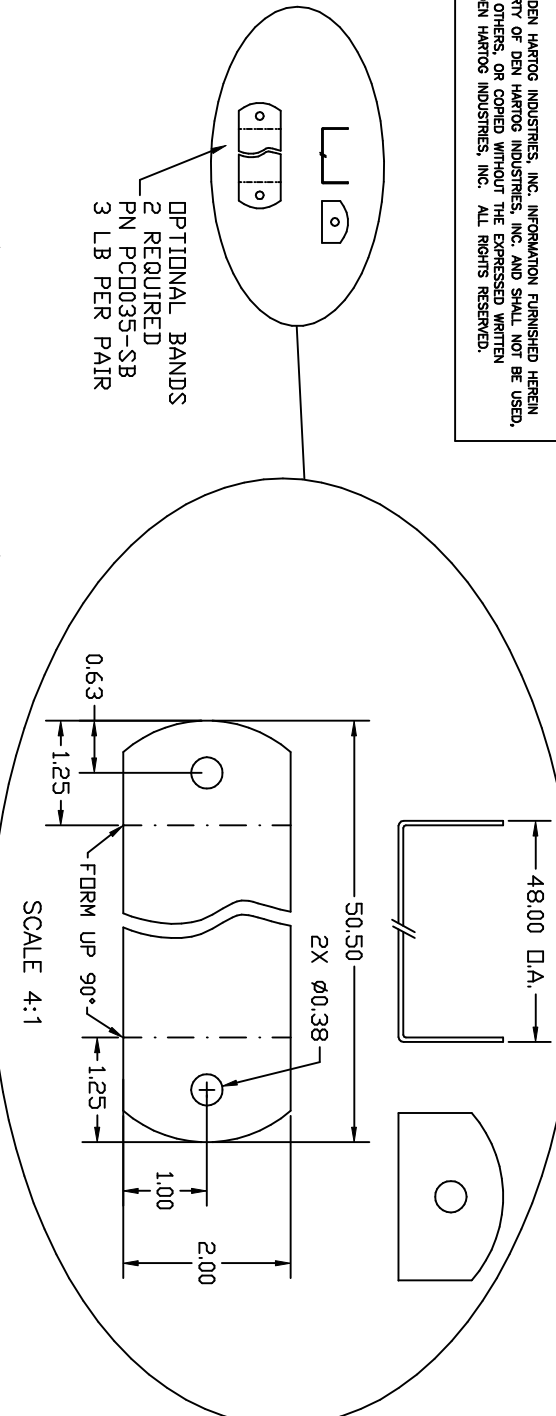


PROPRIETARY DATA

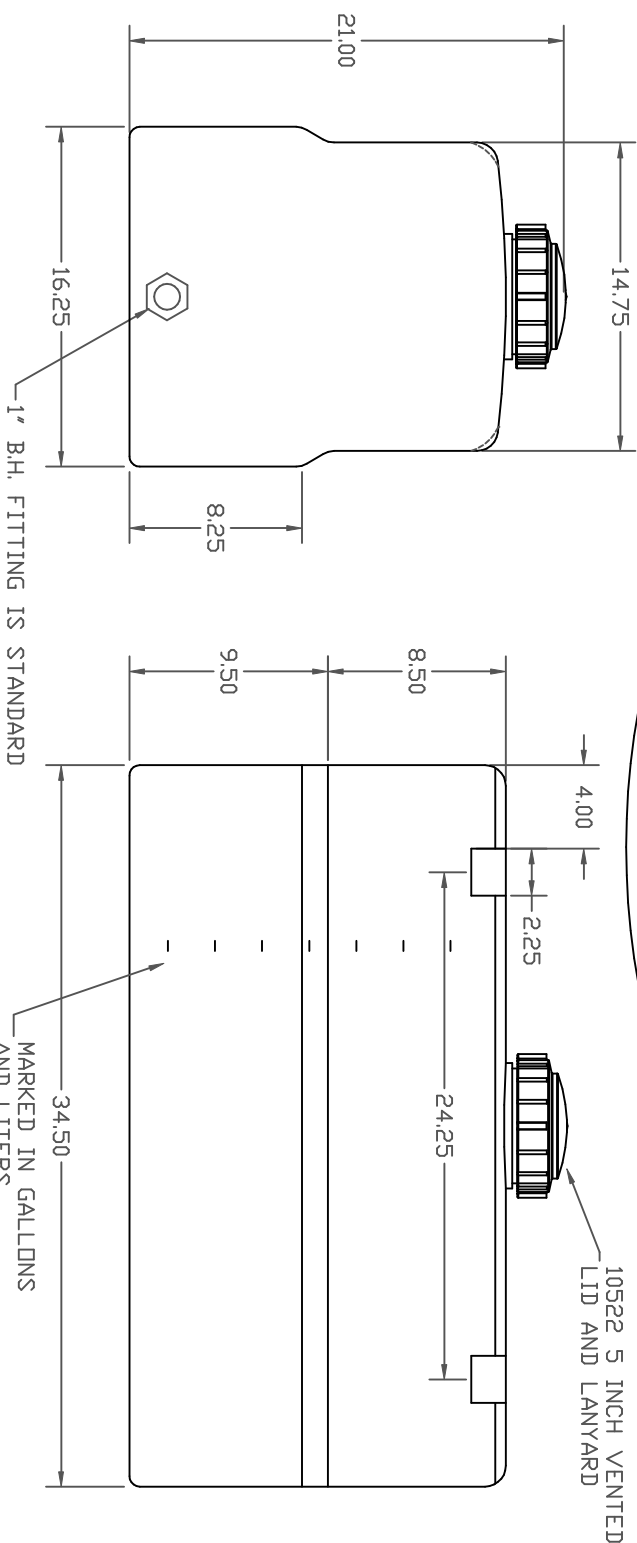
PROPERTY OF DEN HARTOG INDUSTRIES, INC. INFORMATION FURNISHED HEREIN IS THE PROPERTY OF DEN HARTOG INDUSTRIES, INC. AND SHALL NOT BE USED, DISCLOSED TO OTHERS, OR COPIED WITHOUT THE EXPRESSED WRITTEN CONSENT OF DEN HARTOG INDUSTRIES, INC. ALL RIGHTS RESERVED.

PC0035-16

B



OPTIONAL BANDS
2 REQUIRED
PN PCD035-SB
3 LB PER PAIR



REV	DESCRIPTION	DATE	APPRD	DRAWN / DATE	MATERIAL
B	BAND REDRAWN	8/2/06	NVE	DHU 5/3/05	TANK: HDPE OR EQUIVALENT BAND: 18GA STAINLESS STEEL
A	ADD BANDS	5/3/05			

ACE ROTO-MOLD
A DIVISION OF DEN HARTOG INDUSTRIES, INC.
4010 HWY. 60 BLVD, BOX 425, HOSPER, IOWA 51238

CLIENT / DESCRIPTION
35 GALLON PCO TANK AND BAND

ALL DIMENSIONS ARE IN DECIMAL INCHES
TOLERANCES UNLESS OTHERWISE SPECIFIED

± 1% @ 68° F

THIRD ANGLE PROJECTION
ANSI 14.5M

NOTES:
1. TANK NOM. WALL Ø 0.250
2. TANK SHOT WEIGHT 24 LBS.

SCALE N.S.

PART NO. PC0035-16