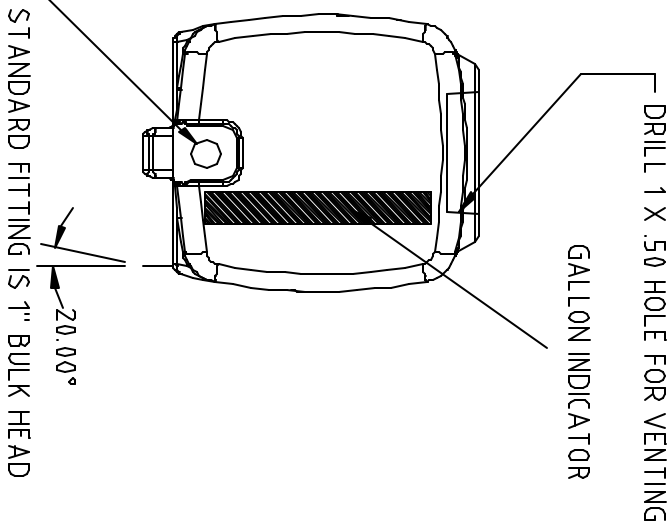
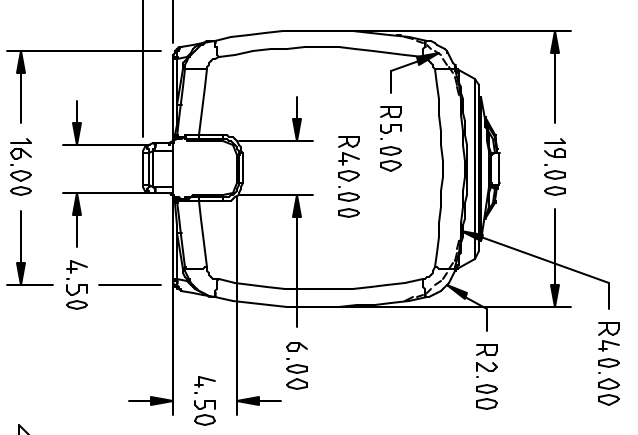
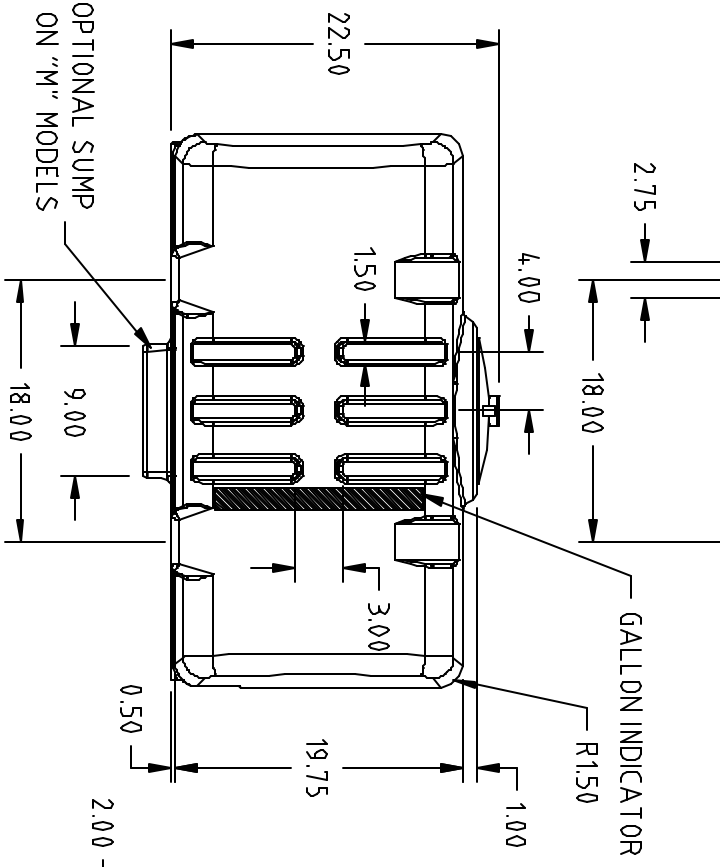
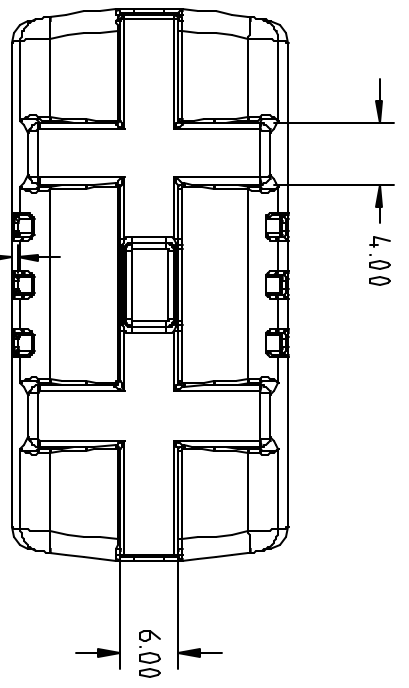
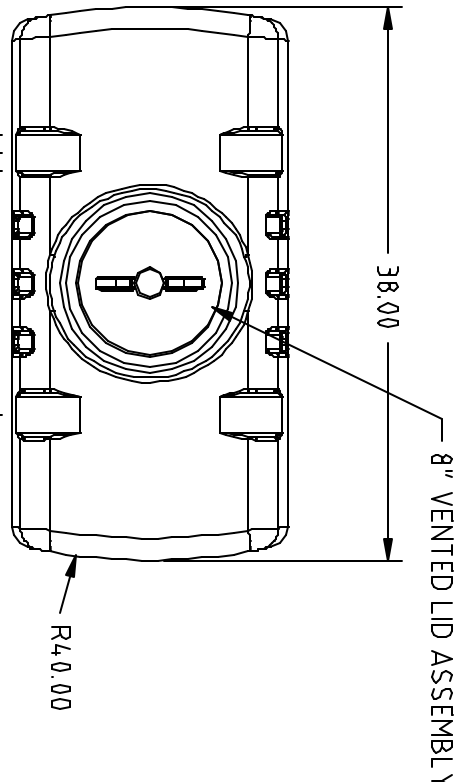


PC0050-19



REV	DESCRIPTION	DATE	APPRD	DRAWN / DATE	REH / 5/8/02	APPRD. / DATE	REH / 5/8/02

MATERIAL

25 LB. MOBIL 134

ACE ROTO-MOLD

A DIVISION OF DEN HARTOG INDUSTRIES, INC.
 4018 HWY. 50 BLVD. BOX 421, HOSPERS, IOWA 51238

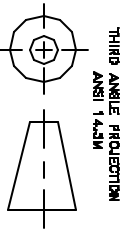
50 GALLON PCD TANK

CLIENT / DESCRIPTION

SCALE N.S.

PART NO. PC0050-19S (SUMP)
 PC0050-19W (NO SUMP)

ALL DIMENSIONS ARE IN DECIMAL INCHES
 TOLERANCES UNLESS OTHERWISE SPECIFIED
 + .5% @ 68° F



- NOTES:
1. NATURAL COLOR
 2. NOM. WALL .180