

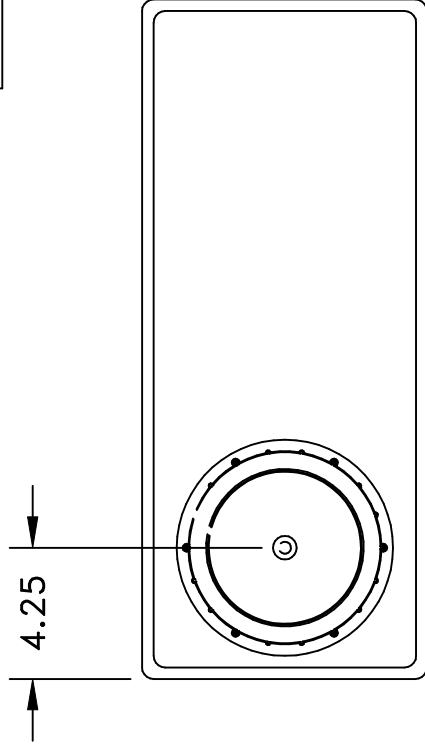
PROPRIETARY DATA

PROPERTY OF ACE ROTO-MOLD MFG., INC. INFORMATION FURNISHED HEREIN IS THE PROPERTY OF ACE ROTO-MOLD MFG., INC. AND SHALL NOT BE USED, DISCLOSED TO OTHERS, OR COPIED WITHOUT THE EXPRESSED WRITTEN CONSENT OF ACE ROTO-MOLD MFG., INC. ALL RIGHTS RESERVED.

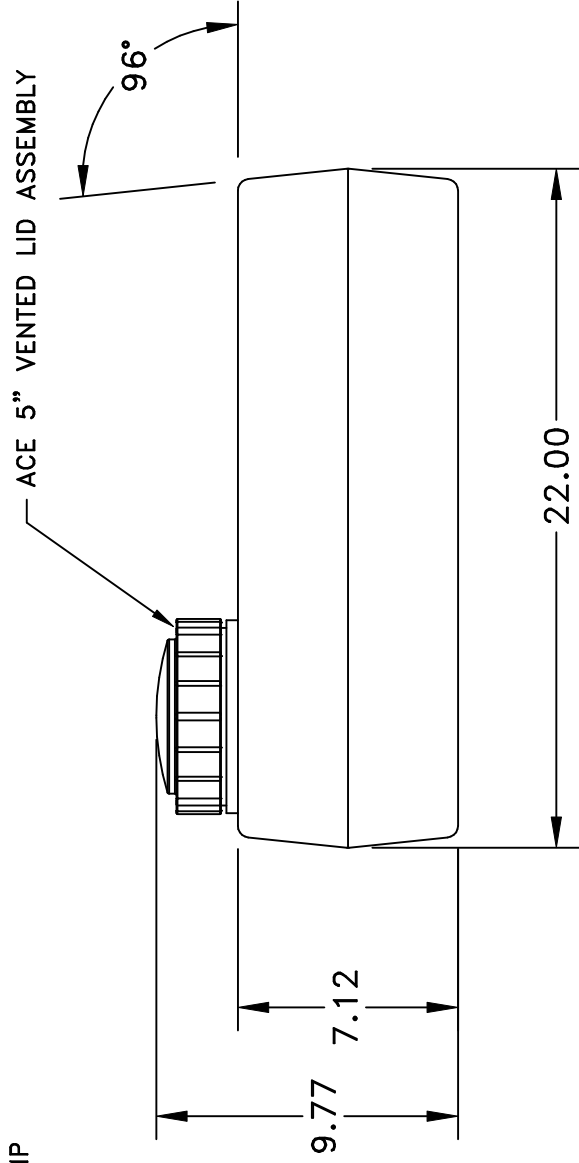
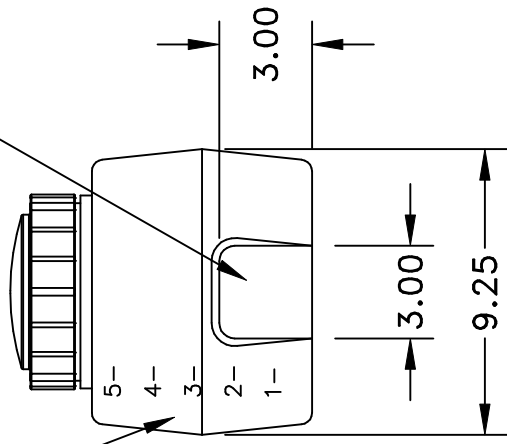
SP0005-RT

A

NOTE: THIS PRODUCT IS NOT DESIGNED TO CONTAIN PETROLEUM PRODUCTS. CONSULT THE FACTORY REGARDING CHEMICAL COMPATIBILITY



GAL. MARKERS
FITTING SUMP
FITTING IS
OPTIONAL



(A)

SHIPPING WEIGHT = 6LB.

DRAWN / DATE		REH/12/30/01		MATERIAL / SHOT WEIGHT		M111 M135 U625 P938	
APPRD. / DATE		DHJ/12/30/01		5 LB.		NOTES:	
DATE		APPRD		1. NATURAL COLOR		CLIENT / DESCRIPTION	
DESCRIPTION		WAS 4LB. CCNT1389		7/18/07		ACE ROTO-MOLD A DIVISION OF DEN HARTOG INDUSTRIES, INC.	
ALL DIMENSIONS ARE IN DECIMAL INCHES TOLERANCES UNLESS OTHERWISE SPECIFIED ± 2% @ 68° F		THIRD ANGLE PROJECTION ANSI 14.5M		ACE 5 GALLON RECTANGULAR TANK		SCALE N.S. PART NO. SP0005-RT	