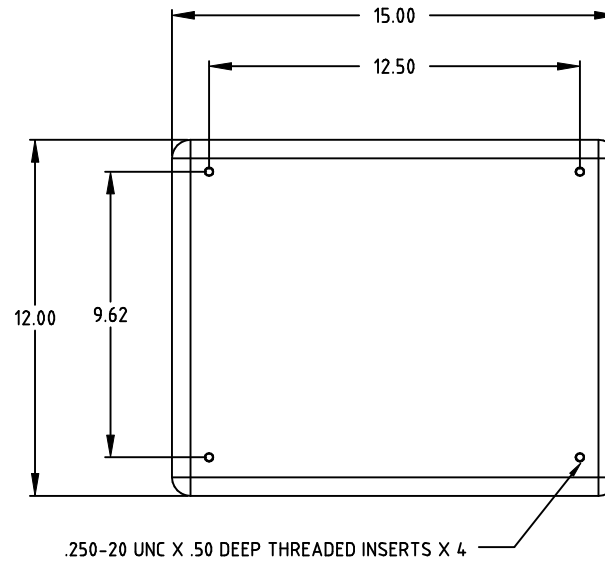
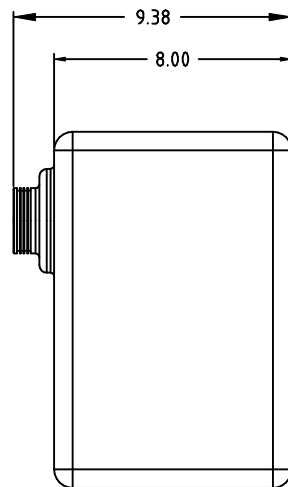
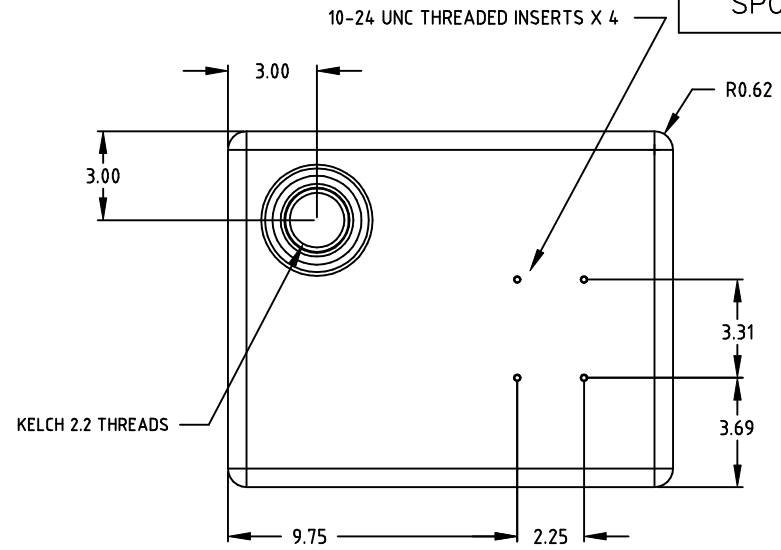
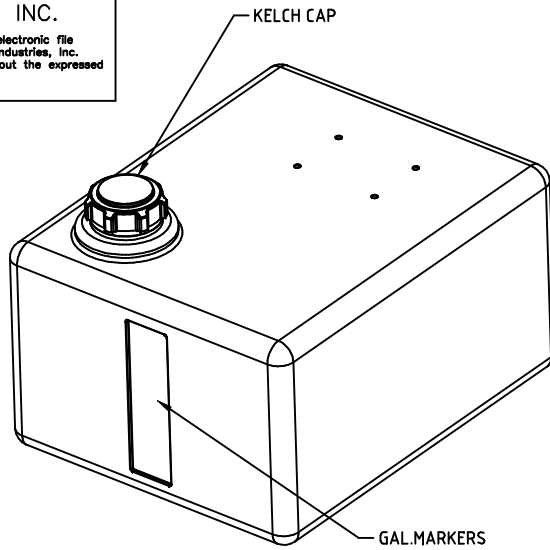


© DEN HARTOG INDUSTRIES, INC.

Copyright. All information furnished within this document, electronic file or design correspondence is the property of Den Hartog Industries, Inc. and shall not be used, disclosed to others or copied without the expressed written consent of Den Hartog Industries, Inc.

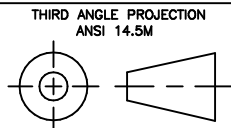
SP0006-2P

A



				DRAWN / DATE DHJ / 8/19/99	MATERIAL
A	SHOT WEIGHT CORRECTED CCN 1801	2/16/09	ADH	APPRD. / DATE REH / 8/19/99	5 LB. MOBIL 134
REV	DESCRIPTION	DATE	APPRD		

ALL DIMENSIONS ARE IN DECIMAL INCHES
TOLERANCES UNLESS OTHERWISE SPECIFIED
± 1% @ 68° F



NOTES:
1. NATURAL COLOR
2. NOM. WALL .150



Den Hartog
INDUSTRIES, INC.

Are Roto-Mold Injection Molding Blow Molding Sowjoy
4010 HOSPERS DRIVE SOUTH, BOX 421, HOSPERS, IOWA 51238

CLIENT / DESCRIPTION		6 GAL. SPRAYER TANK
SCALE	N.S.	PART NO. SP0006-2P