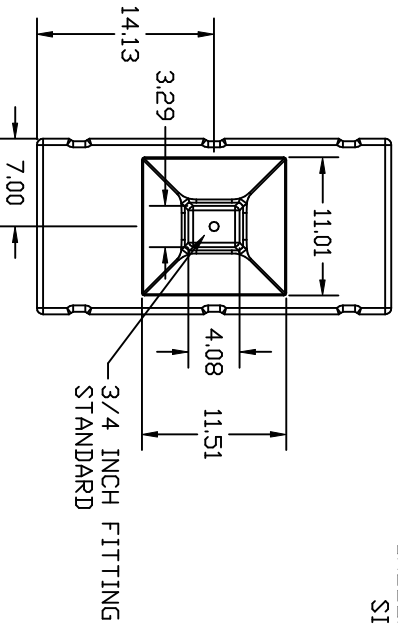
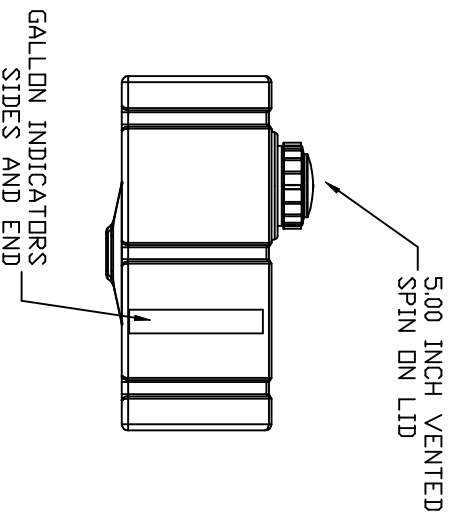
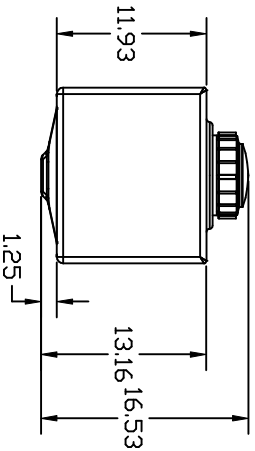
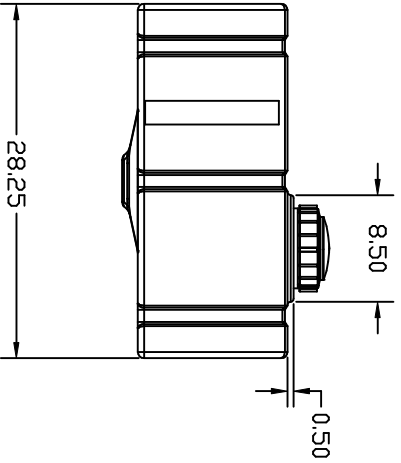
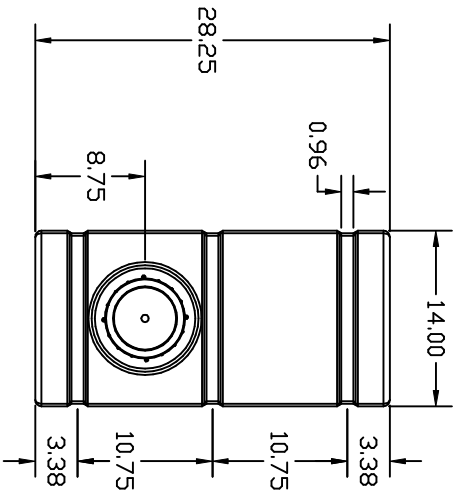
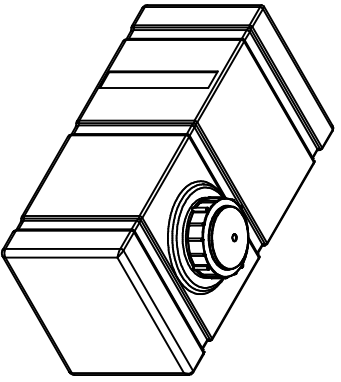


PROPRIETARY DATA

PROPERTY OF DEN HARTOG INDUSTRIES, INC. INFORMATION FURNISHED HEREIN IS THE PROPERTY OF DEN HARTOG INDUSTRIES, INC. AND SHALL NOT BE USED, DISCLOSED TO OTHERS, OR COPIED WITHOUT THE EXPRESSED WRITTEN CONSENT OF DEN HARTOG INDUSTRIES, INC. ALL RIGHTS RESERVED.

SP0020-LC

A



REV	DESCRIPTION	DATE	APPRD
A	UPDATED PRINT, CHECKED DIMS	6/7/06	NVE

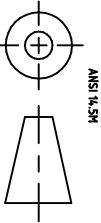
DRAWN / DATE

NVE 6/10/05

APPRD. / DATE

DHJ 6/7/06

THIRD ANGLE PROJECTION
ANSI 14.5M



MATERIAL

HDPB OR EQUIVALENT
REFERENCE MATERIAL DATA SHEET
FOR SPECIFIC PROPERTIES.

NOTES:

1. WHITE, YELLOW, OR BLACK COLOR
2. SHOT WEIGHT 11.LBS.
3. NOM. WALL @ .175

CLIENT / DESCRIPTION

ACE ROTO-MOLD
A DIVISION OF DEN HARTOG INDUSTRIES, INC.
4018 HWY. 60 BLVD., BOX 421, HOSPERS, IN/VA 51238

20 GALLON RECTANGULAR
APPLICATOR TANK - SUMPED

SCALE

N.S.

PART NO.

SP0020-LC

ALL DIMENSIONS ARE IN DECIMAL INCHES
TOLERANCES UNLESS OTHERWISE SPECIFIED

+ 1% @ 68° F