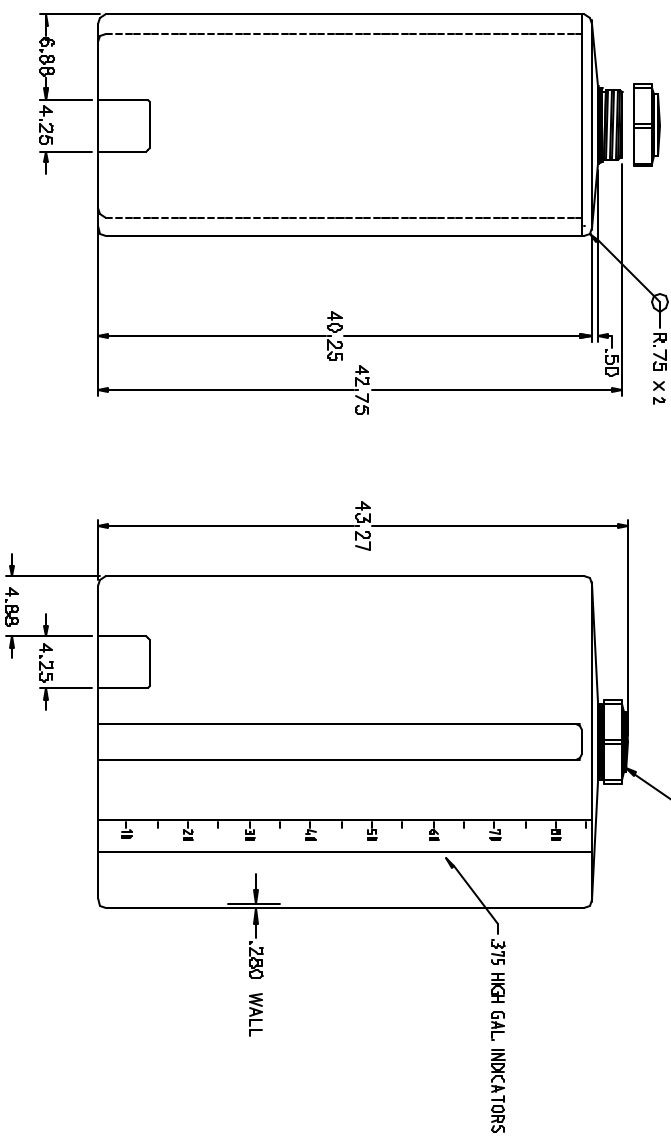
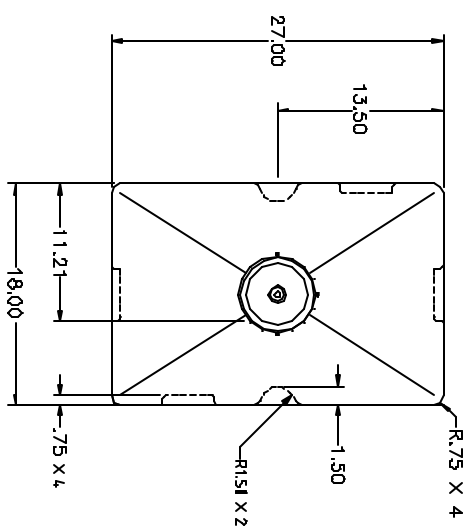


SP1080-RT



CUSTOMER AUTHORIZED APPROVAL \_\_\_\_\_

DATE \_\_\_\_\_

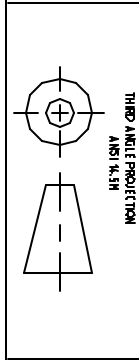
REV	DESCRIPTION	DATE

DRAWN / DATE	REH/3/23/98
APPRD. / DATE	REH/3/23/98

MATERIAL / SHOT WEIGHT	44 LB. MOBIL 134
------------------------	------------------

CLIENT / DESCRIPTION	ACE 80 GALLON RT
----------------------	------------------

ALL DIMENSIONS ARE IN DECIMAL INCHES  
TOLERANCES UNLESS OTHERWISE SPECIFIED  
+ .5% @ 68° F



NOTES:  
1. 2.7% SHRINK ALLOWANCE  
2. NO COLLDR - NATURAL

SCALE	N.S.
PART NO.	SP1081-RT

**ACE ROTO-MOLD**  
A DIVISION OF DEN HARTOG INDUSTRIES, INC.  
408 HWY. 61 BLVD. HOSPERS, IDVA