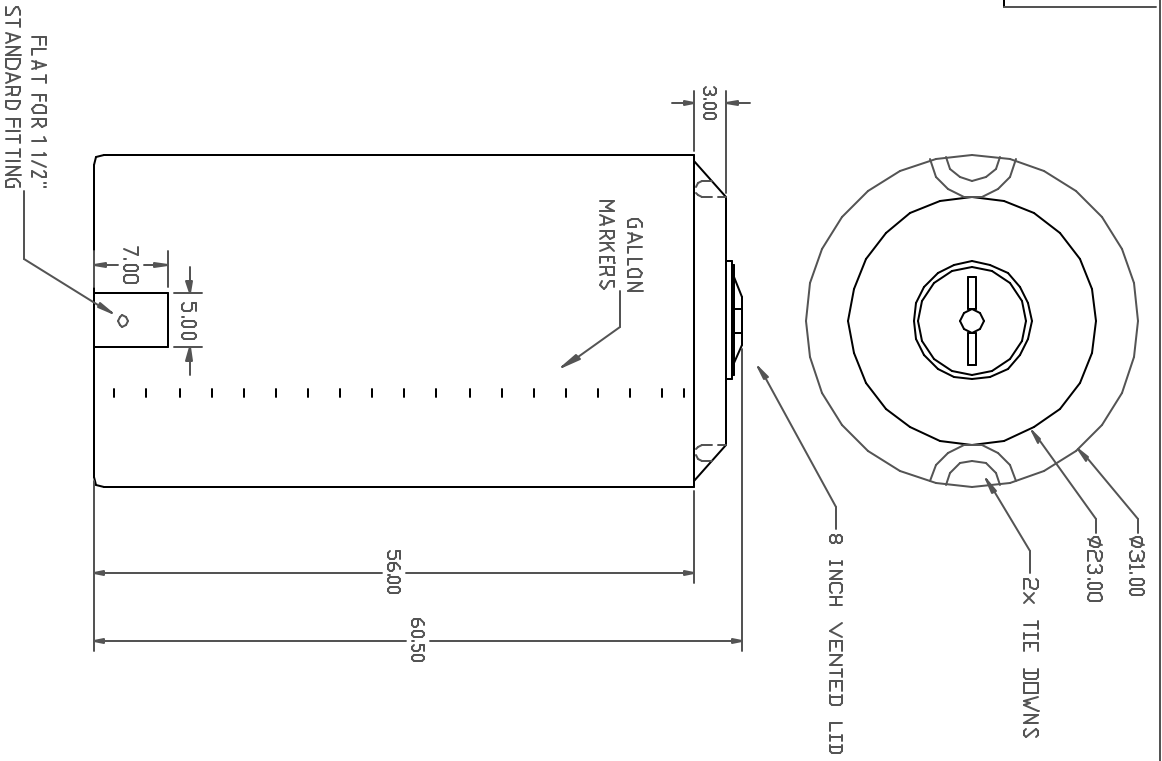


PROPRIETARY DATA

PROPERTY OF ACE ROTO-HOLD MFG., INC. INFORMATION FURNISHED HEREIN IS THE PROPERTY OF ACE ROTO-HOLD MFG., INC. AND SHALL NOT BE USED, DISCLOSED TO OTHERS, OR COPIED WITHOUT THE EXPRESSED WRITTEN CONSENT OF ACE ROTO-HOLD MFG., INC. ALL RIGHTS RESERVED.

VT0175-31



| | | | | |
|-----|-------------|-------------|----------------------------|---------------|
| REV | DESCRIPTION | DATE APPRD. | DRAWN / DATE DHJ 3/2/05 | APPRD. / DATE |
|-----|-------------|-------------|----------------------------|---------------|

| | |
|------------------------|-------------------------|
| MATERIAL / SHOT WEIGHT | POLYETHYLENE 54 LBS. |
|------------------------|-------------------------|


Ace Roto-Mold
 A DIVISION OF DEN HARTOG INDUSTRIES, INC.
 CLIENT / DESCRIPTION
 175 GALLON VERTICAL

| | |
|--------------------------------------|--|
| THIRD ANGLE PROJECTION ANSI 14.5M | NOTES: 1. BLACK, BLUE, AND WHITE COLOR 2. .25 NDM. WALL |
|--------------------------------------|--|

| | |
|-------|-------|
| SCALE | SCALE |
| NONE | NONE |

| | |
|----------|-----------|
| PART NO. | VT0175-31 |
|----------|-----------|

ALL DIMENSIONS ARE IN DECIMAL INCHES
TOLERANCES UNLESS OTHERWISE SPECIFIED
± 1% @ 68° F