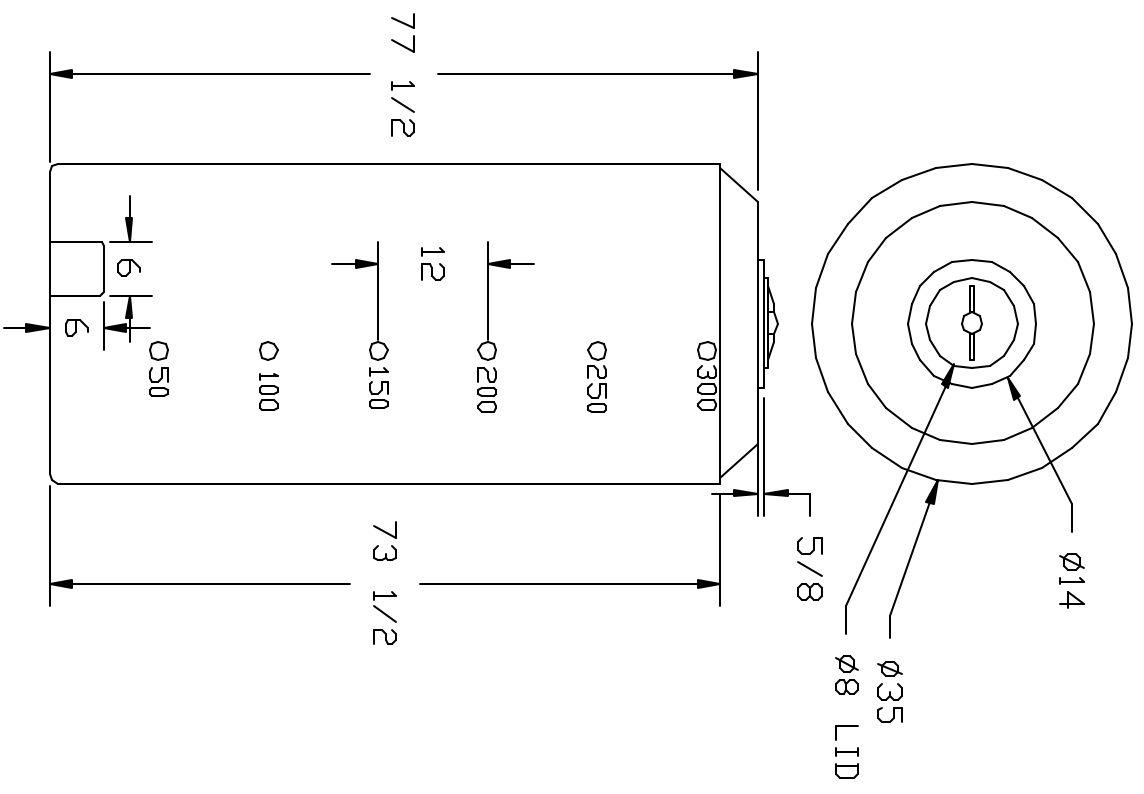


1. 1 PIECE ROTATIONALLY MOLDED
2. SPECIFIC GRAVITY 1.75
3. TRANSLUCENT
4. UV STABILIZED
5. FDA APPROVED RESIN
6. CALIBRATED IN GAL.
7. 3 YEAR WARRANTY
8. LARGER LID AVAILABLE



DRAWN DEAN		DATE 12-10-93	MATERIAL HIGH DENSITY POLYETHYLENE	ACE ROTO-MOLD	
APPROVED		DATE	PART WEIGHT 86 LBS.	PART NO. VT0300-35	REV
REV	DESCRIPTION	DATE	APVD	SIZE A	
SCALE NONE			UNITS DIMENSIONS ARE IN INCHES GENERAL TOLERANCES +.5% @ 68° F		
THIRD ANGLE PROJECTION					