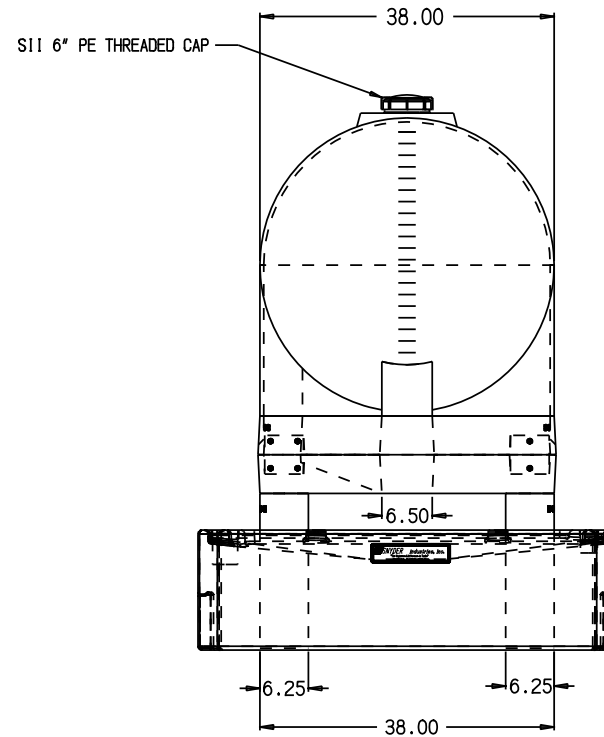
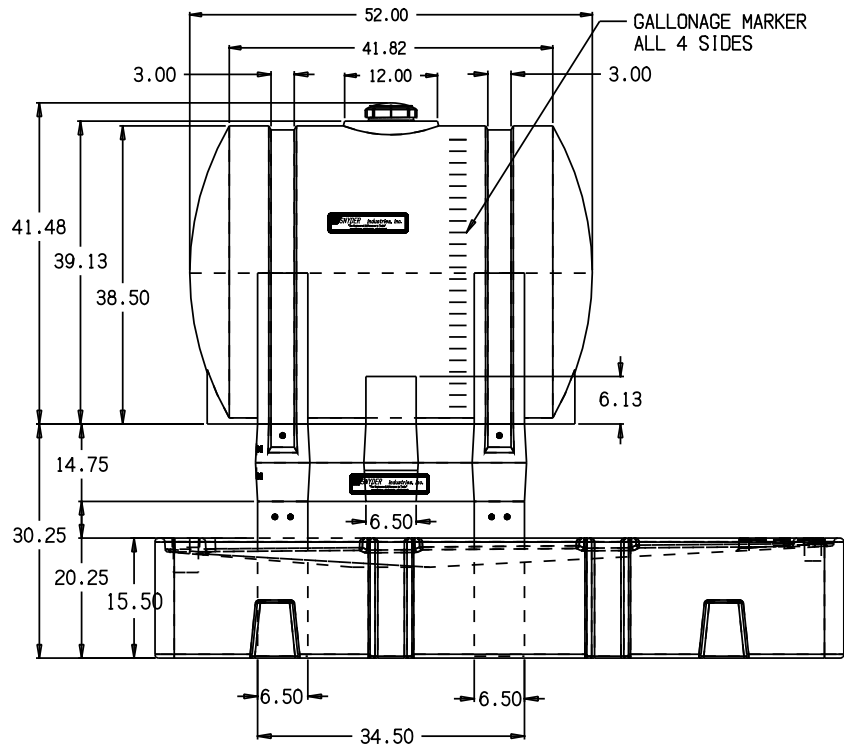
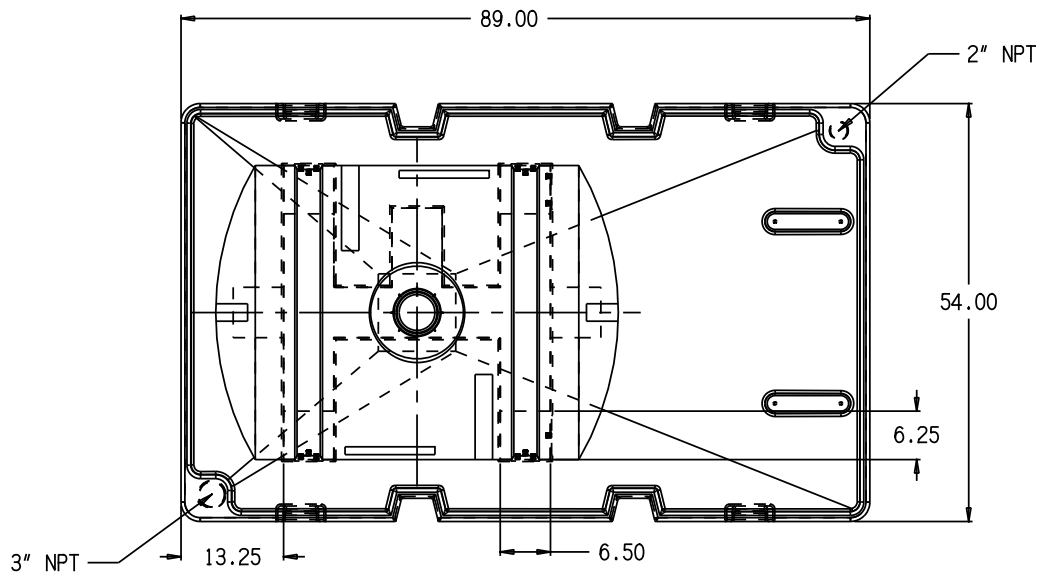


APPROX. BRIMFUL CAPACITY:
 TANK: 232.2 GAL.
 CONTAINMENT: 300.9 GAL.

SNYDER INDUSTRIES INC.



* BASE FITTINGS TO BE LEFT INSTALLED AT TIME OF SHIPMENT PER S11 PROCEDURE
 * Consult Snyder's Guidelines for Use and Installation prior to delivery.
 Available on-line at www.snydernet.com

(all dimensions in inches)

PART #	TANK:	1003900N--
	STAND:	1004000N--
	CONTAINMENT:	1004600N--
REF#:	0000	09/01/10

225 GALLON HORIZONTAL LEG TANK, STAND, & CONTAINMENT