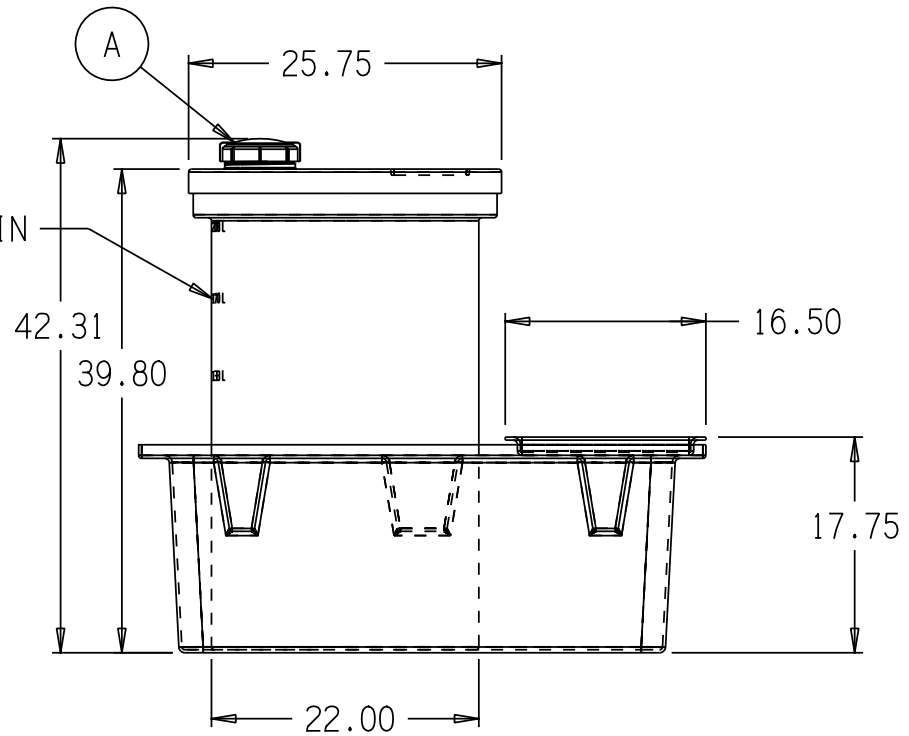


MOLDED-IN GALLON MARKER



NOTE:
ALL EXTERNAL PIPING MUST BE INDEPENDENTLY SUPPORTED.

A. 6" PE THREADED-VENTED FILL CAP W/4-1/2" ACCESS [P/N 34300047]

* BASE FITTINGS TO BE LEFT INSTALLED AT TIME OF SHIPMENT PER SII PROCEDURE
* Consult Snyder's Guidelines for Use and Installation prior to delivery.
Available on-line at www.snydernet.com

(all dimensions in inches)

PART# TANK: 5680001N97205 (HD/NAT)
5680001N95802 (XL/NAT)
BASIN: 1007700N97802 (HD/BLK)

60 GALLON CHEMICAL FEED STATION

REF#: 00000

04/05/11