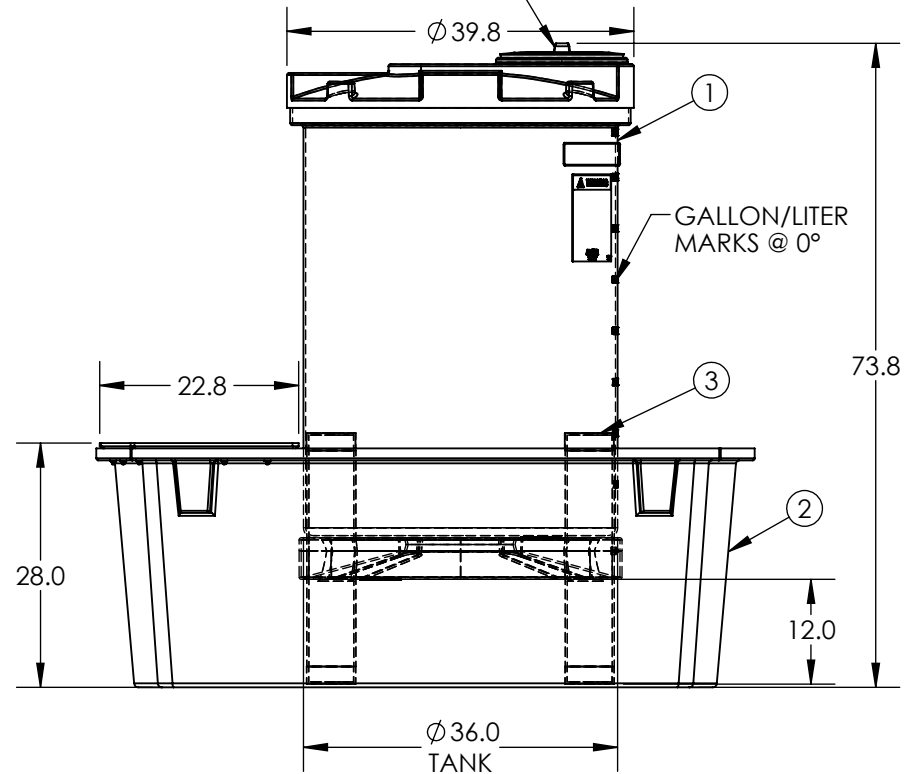


14" PE THREADED/VENTED  
MANWAY W/ 11-3/8" ACCESS



④ SHRINK WRAP NOT SHOWN

| ITEM NO.  | QTY. | PART NUMBER   | DESCRIPTION   |
|---|------|---|---|
| 4   | 1    | 00000171  | PROTECTIVE PLASTIC PACKAGING 200 - 850  |
| 3   | 1    | 1730000N97601   | ASM STAND FLAT/CONE 36X12 HD/RED  |
| 2   | 1    | 1007900N97802   | ASM CNT 390 HD/BLK W/SHELF  |
| 1   | 1    | 5720100N__01  | ASM TK 200VNT X 36  |
| DO NOT SCALE  |      | DRAWN BY: SB  | DATE: 07/01/2014  |
| STATUS: Released  |      |   |   |
| © SNYDER INDUSTRIES INC., 2014  |      |   |   |
| ALL DIMENSIONS, DESIGNS, AND INFORMATION ON THIS PRINT MUST BE CONSIDERED PROPRIETARY TO SNYDER INDUSTRIES, INC. AND MAY NOT BE USED, COPIED, OR DISTRIBUTED WITHOUT WRITTEN PERMISSION OF AN OFFICER (OR HIS AGENT) OF THE FIRM. |      | 4700 Fremont Street<br>Lincoln, NE 68504<br>(402) 467-5221<br>www.snydernet.com | <b>TITLE:</b><br>ASM TK 200VNT CHEMFED<br>W/STND<br><br><b>PART NO.</b><br>5720104N<br><br><b>ENG. ID.</b><br>D002298 |
|   |      | REVISION<br><b>A</b>  | SHEET<br>1 OF 1   |

**\*ALL EXTERNAL PIPING MUST BE INDEPENDENTLY SUPPORTED.**  
**\*ONLY BASE FITTINGS TO BE LEFT INSTALLED AT TIME OF SHIPMENT PER SII PROCEDURE.**  
**\*Consult Snyder's Guidelines for Use and Installation prior to delivery.**  
 Available on-line at <http://www.snyderindustriestanks.com/Technical>  
**ALL DIMENSIONS ARE IN INCHES, NOMINAL, & SUBJECT TO CHANGE WITHOUT NOTICE.**  
**ALL DIMENSIONS ON ROTATIONAL MOLDED PARTS ARE SUBJECT TO A ± 3% TOLERANCE.**