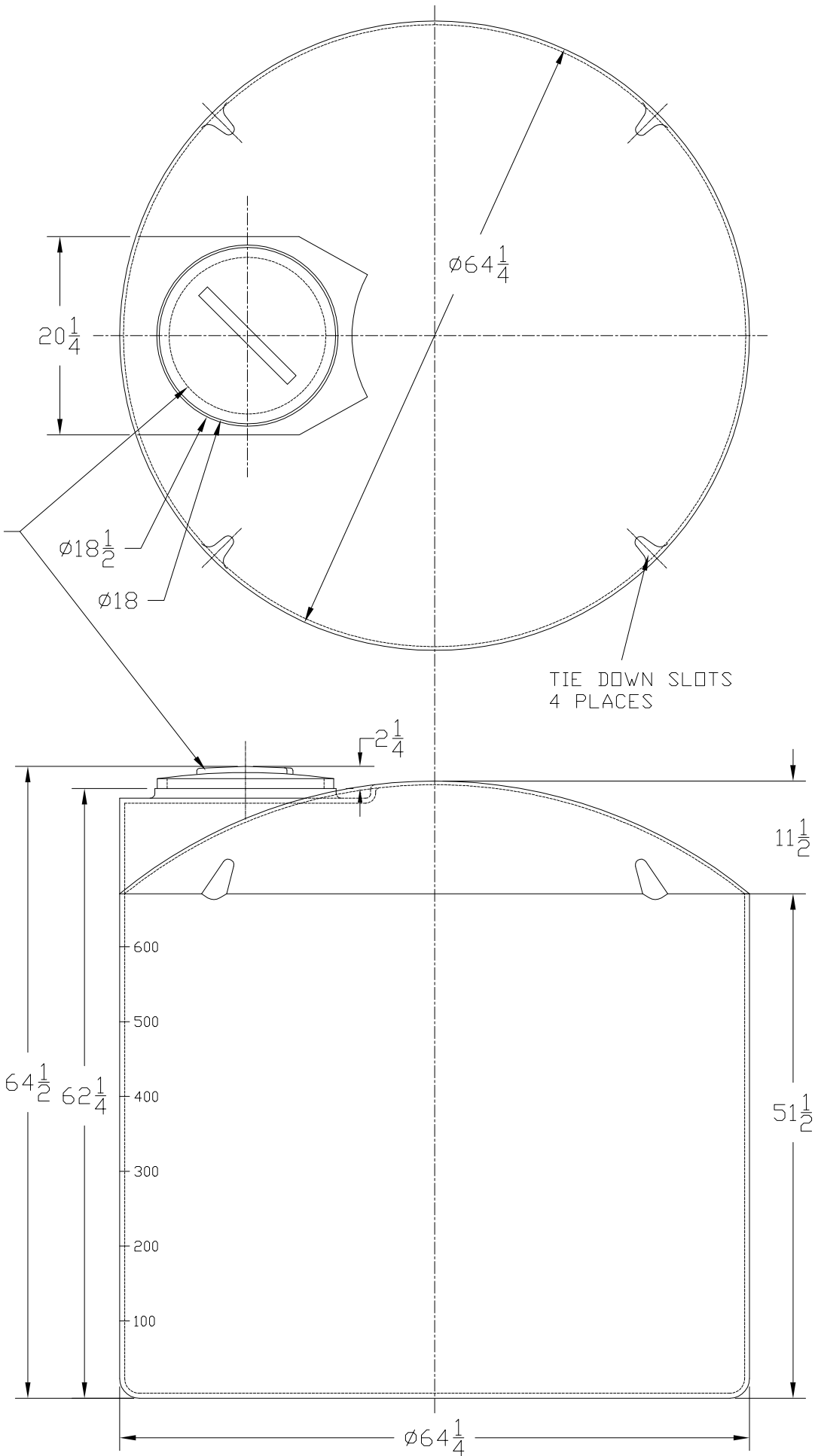


THIS DRAWING & DESIGN IS THE PROPERTY OF CHEM-TAINER INDUSTRIES INC. IT MAY NOT BE USED FOR ANY PURPOSE OTHER THAN BY THE OWNER. CHEM-TAINER DOES NOT AUTHORIZE THE REPRODUCTION OR CONVEYANCE OF ANY INFORMATION CONTAINED HEREIN.

Ø16 ACCESS IS STANDARD



ALL DIMENSIONS SHOWN ARE OUTSIDE PART DIMENSIONS IN INCHES, AND VARY BY THE STANDARD ROTATIONAL MOLDING TOLERANCE OF $\pm 2\%$.

Rev. 1	Date 05/16/00	File Name IA6460-1
CHEM-TAINER		
Industries Inc.		
361 Neptune Ave. W. Babylon, NY 11704		
(631) 661-8300 Fax: (631) 661-8209		
Date	05/16/00	Mold Location
Drawn By:	IJA	FL
Cust. Rep.		
TITLE		
700 GAL. VERTICAL BULK STORAGE TANK		
Part #	TC6460IA/IC	Dwg. #
		C-6460-13