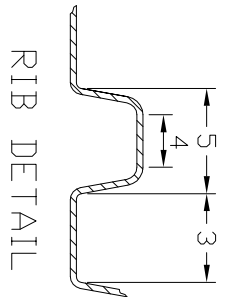
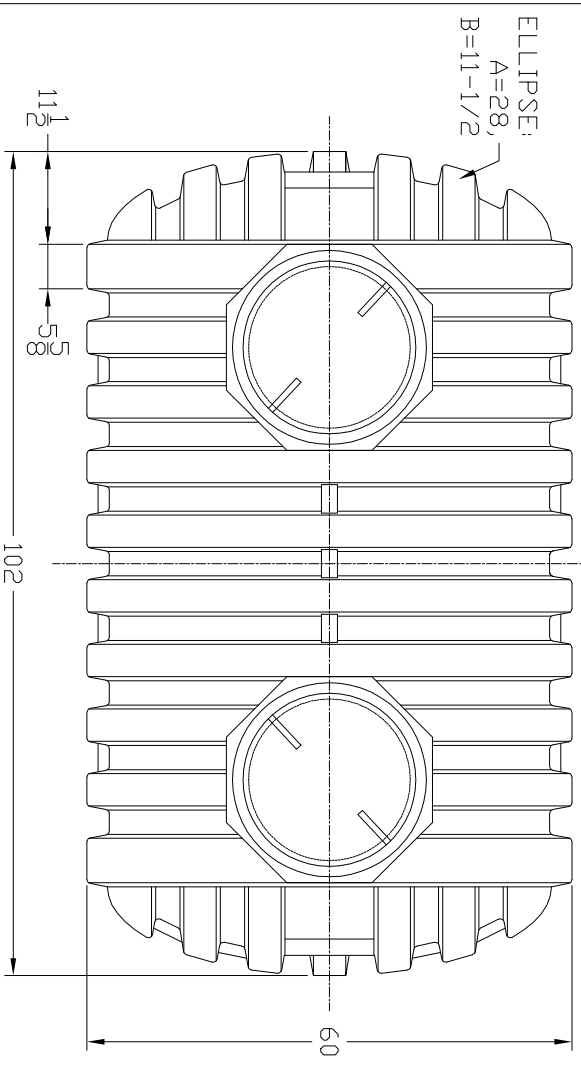
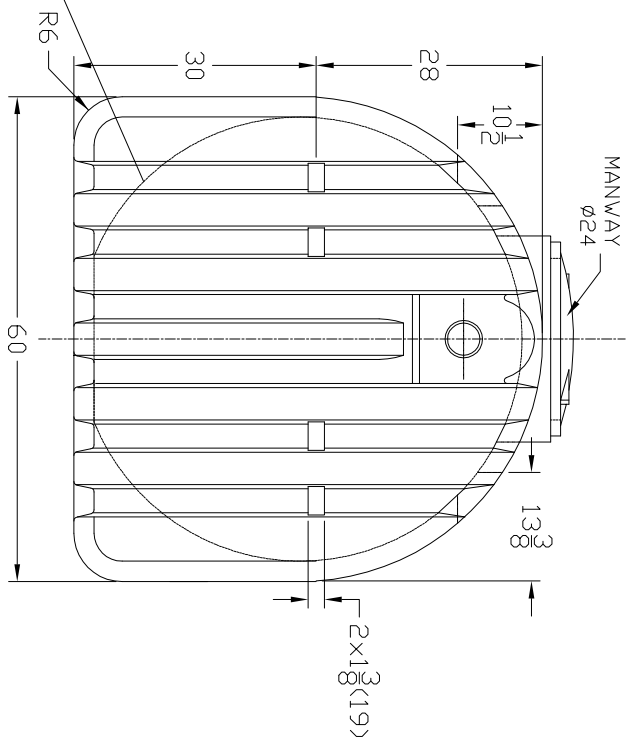


FULL CIRCULAR RIBS(3)
AS SHOWN
FAIR AT BPTTP,



THIS DRAWING & DESIGN IS THE PROPERTY OF CHEM-TAINER INDUSTRIES INC. IT MAY NOT BE USED FOR ANY PURPOSE OTHER THAN BY THE OWNER. CHEM-TAINER DOES NOT AUTHORIZE THE REPRODUCTION OR CONVEYANCE OF ANY INFORMATION CONTAINED HEREIN.

ALL DIMENSIONS SHOWN ARE OUTSIDE PART DIMENSIONS IN INCHES, AND VARY BY THE STANDARD ROTATIONAL MOLDING TOLERANCE OF +2/-3%.

| | | |
|---|---------------|--------------------|
| Rev. 0 | Date 03/01/01 | File Name ST1000-N |
| CHEM-TAINER | | Date 03/01/01 |
| Industries Inc. | | Mold Location 00 |
| 361 Neptune Ave. W.Babylon, NY 11704 | | Drawn By: IIA |
| (631) 661-8300 Fax: (631) 661-8209 | | Cust. Rep. |
| TITLE 1000 GAL. BELOW GROUND SEPTIC TANK | | |
| Part # | Dwg. # | |
| TN1000ST | C-1000-1N | |