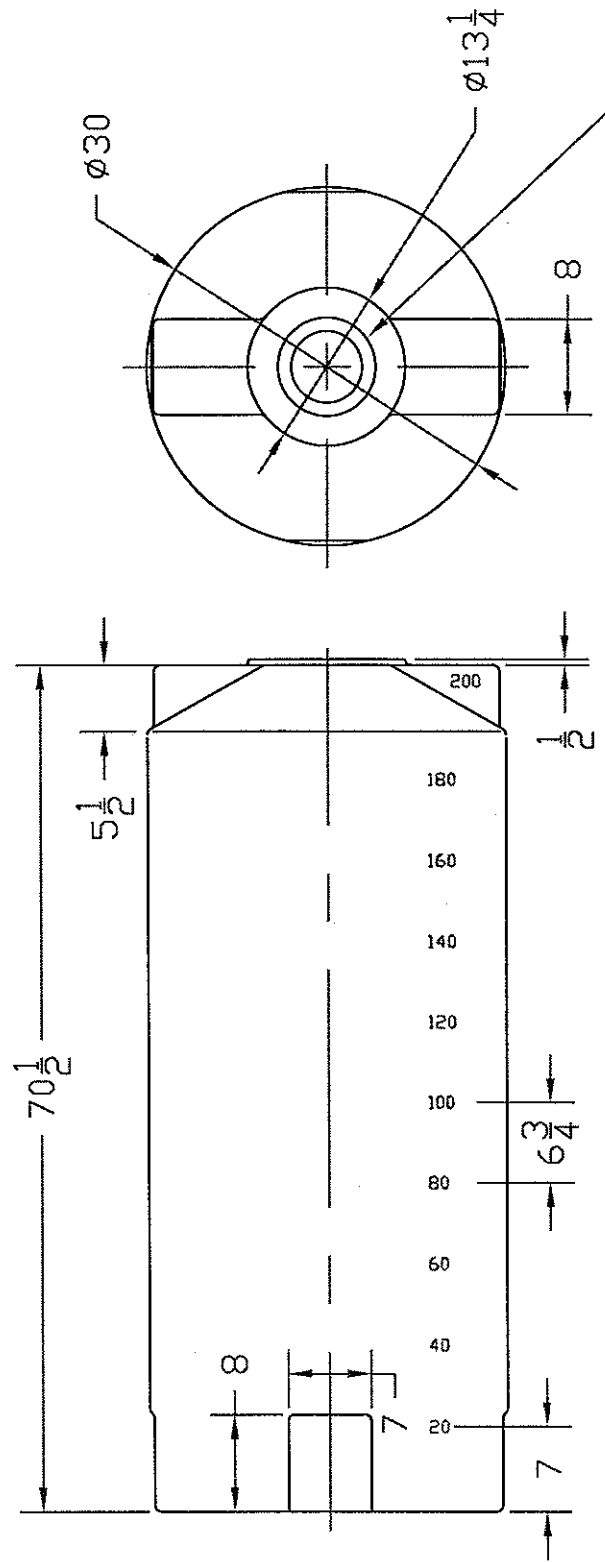


REVISIONS				
ZONE	REV	DESCRIPTION	DATE	APPROVED



8 1/4 ACME THREAD, RH

<b>NORWESCO</b>		ST. BONIFACIUS, MN	
200 GALLON VERTICAL TANK X 30 DIA			
JTP	11JUL03	SIZE FSCM NO.	DWG NO.
		A	
SCALE 1/16		SHEET	