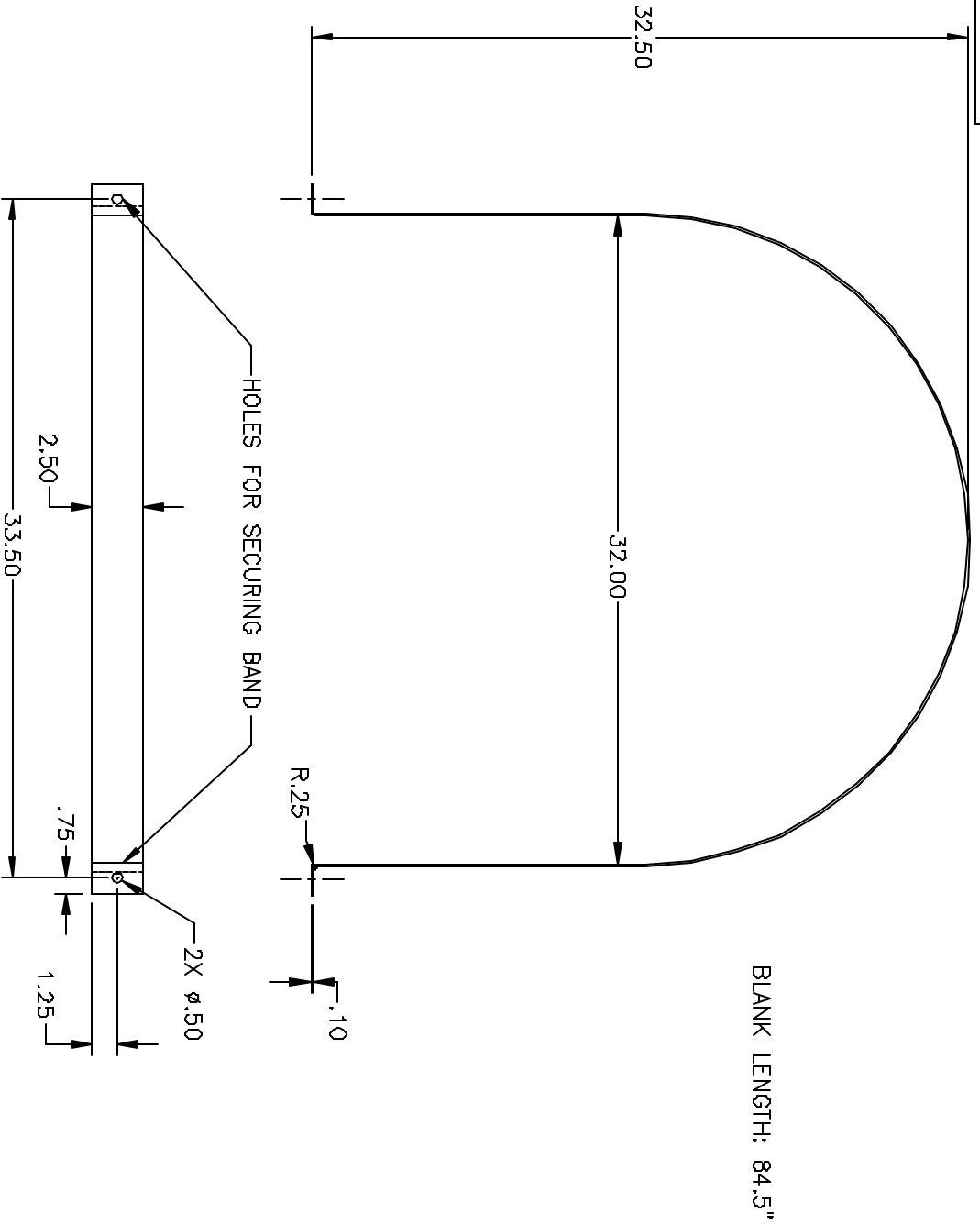


PROPRIETARY DATA

PROPERTY OF ACE ROTO-MOLD MFG. INC. INFORMATION FURNISHED HEREIN IS THE PROPERTY OF ACE ROTO-MOLD MFG. INC. AND SHALL NOT BE USED, DISCLOSED TO OTHERS, OR COPIED WITHOUT THE EXPRESSED WRITTEN CONSENT OF ACE ROTO-MOLD MFG. INC. ALL RIGHTS RESERVED.

FS125/165-SBPF



REV	DESCRIPTION	DATE	APPRD

DRAWN / DATE	NVE 6/29/15
APPRD. / DATE	DHJ 9/27/15

MATERIAL	1/8 GA 14151 691 STEEL
NOTES:	1. POWDER COATED 2. WEIGHT 79 LBS.
CLIENT / DESCRIPTION	125/165 GALLON KIT SILVER POWDER-COATED FORMED STEEL BAND W/ FEET

ALL DIMENSIONS ARE IN DECIMAL INCHES TOLERANCES UNLESS OTHERWISE SPECIFIED	
---	--

THIRD ANGLE PROJECTION ANSI X3.1	
-------------------------------------	--

SCALE	N.S.
PART NO.	FS125/165-SBPF

