

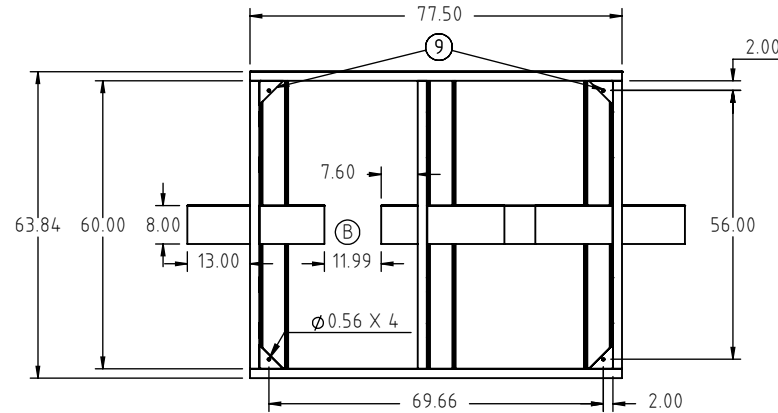
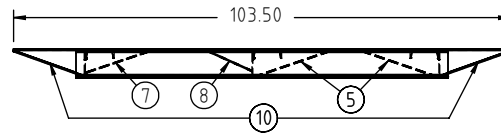
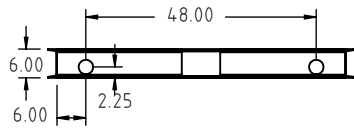
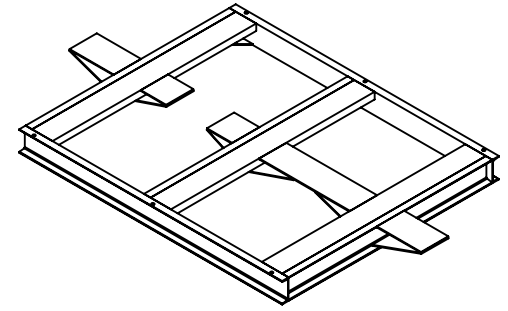
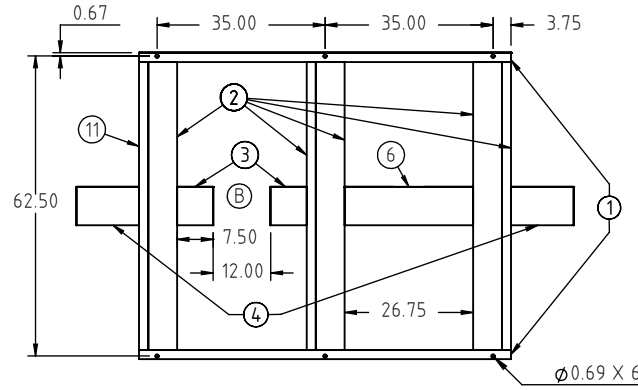
© DEN HARTOG INDUSTRIES, INC.

Copyright. All information furnished within this document, electronic file or design correspondence is the property of Den Hartog industries, Inc. and shall not be used, disclosed to others or copied without the expressed written consent of Den Hartog Industries, Inc.

FS1300-SK

D

KEY	PART NUMBER	DESCRIPTION	QTY.
1	FS1300-SK-1	SIDE CHANNEL	2
2	FS1300-SK-2	INNER CHANNEL	5 (D)
3	FS1300-SK-3	SUPPORT PLATE	2 (B)
4	FS1300-SK-4	OUTER SUPPORT PLATE	2
5	FS1300-SK-5	SUPPORT PLATE	2
6	FS1300-SK-6	TANK SUPPORT PLATE	1
7	FS1300-SK-7	SUPPORT PLATE	1 (B)
8	FS1300-SK-8	SUPPORT PLATE	1 (B)
9	124.11	5" X 5" GUSSET	4
10	FS1300-SK-10	END SUPPORT PLATE	2
11	FS1300-SK-11	END CHANNEL	1 (D)



D	DRAWING TEMPLATE/TABLE UPDATED, PLUMBING HOLES CORRECTED, WEIGHT AND FINISH ADDED	ADH 6/8/10	2038
C	COMPONENT INFORMATION ADDED TO TABLE, DRAWING TEMPLATE UPDATED.	ADH 3/27/09	1828
B	INCREASED SUMP CLEARANCE	DHJ 11/2/07	
A	ADDED BILL OF MATERIALS	NVE 8/3/06	
REV	DESCRIPTION	BY / DATE	CCN

DRAWN / DATE	MATERIAL
DHJ 12/17/04	
APPROD. / DATE	
REH /12/18/04	



Den Hartog
INDUSTRIES, INC.

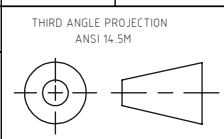
Ace Roto-Mold Injection Molding Blow Molding Sowjoy

4010 HOSPERS DRIVE S. BOX 425, HOSPERS, IOWA 51238-0425

ALL DIMENSIONS ARE IN DECIMAL INCHES
TOLERANCES UNLESS OTHERWISE SPECIFIED

POLYETHYLENE
±1% @ 68°F

METAL
DECIMAL ± .125"
FRACTION ± 1/4"
ANGLE ± 1°



SHOT WEIGHT:	NOTES:
SHIPPING WEIGHT: ① 450.00 LBS	
FINISH: ① POWDER COATING, BLACK TILE, 40012	

DESCRIPTION	SKID FOR 1300 GALLON LEG TANK	
SCALE	N.S.	PART NO. FS1300-SK