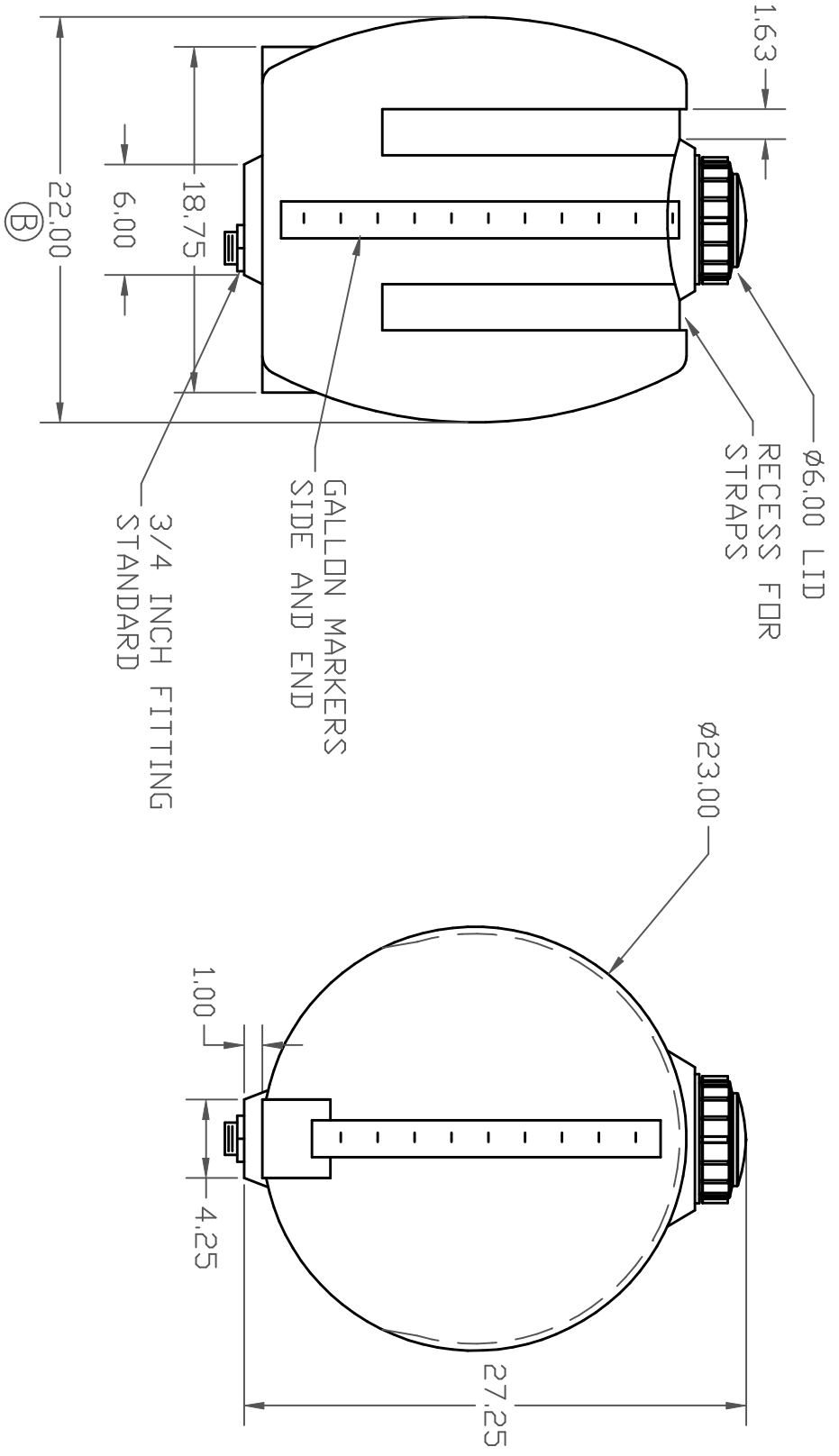


PROPRIETARY DATA

PROPERTY OF ACE ROTO-MOLD MFG., INC. INFORMATION FURNISHED HEREIN IS THE PROPERTY OF ACE ROTO-MOLD MFG., INC. AND SHALL NOT BE USED, DISCLOSED TO OTHERS, OR COPIED WITHOUT THE EXPRESSED WRITTEN CONSENT OF ACE ROTO-MOLD MFG., INC. ALL RIGHTS RESERVED.

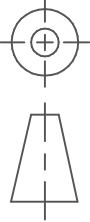
HZ0025-23

B



REV	DESCRIPTION	DATE	APPRD.	DATE	DRAWN / DATE	MATERIAL
B	UPDATE DIMENSION	3/28/07			DHJ 9/16/04	
A	UPDATE FITTING	9/5/06			DHJ 9/16/04	MDPE OR EQUIVALENT REFERENCE MATERIAL DATA SHEET FOR SPECIFIC PROPERTIES.

THIRD ANGLE PROJECTION
ANSI 14.5M



ALL DIMENSIONS ARE IN DECIMAL INCHES
TOLERANCES UNLESS OTHERWISE SPECIFIED
+ 1% @ 68° F

- NOTES:
1. NOM. WALL @ 200
 2. BLACK OR NATURAL COLOR
 3. SHOT WEIGHT 14. LBS.

ACE ROTO-MOLD
A DIVISION OF DEN HARTOG INDUSTRIES, INC.
4,018 HWY. 60 BLVD., BOX 421, HOSPERS, IOWA 51238

CLIENT / DESCRIPTION
25 GALLON HORIZONTAL TANK

SCALE
N.S.

PART NO.
HZ0025-23