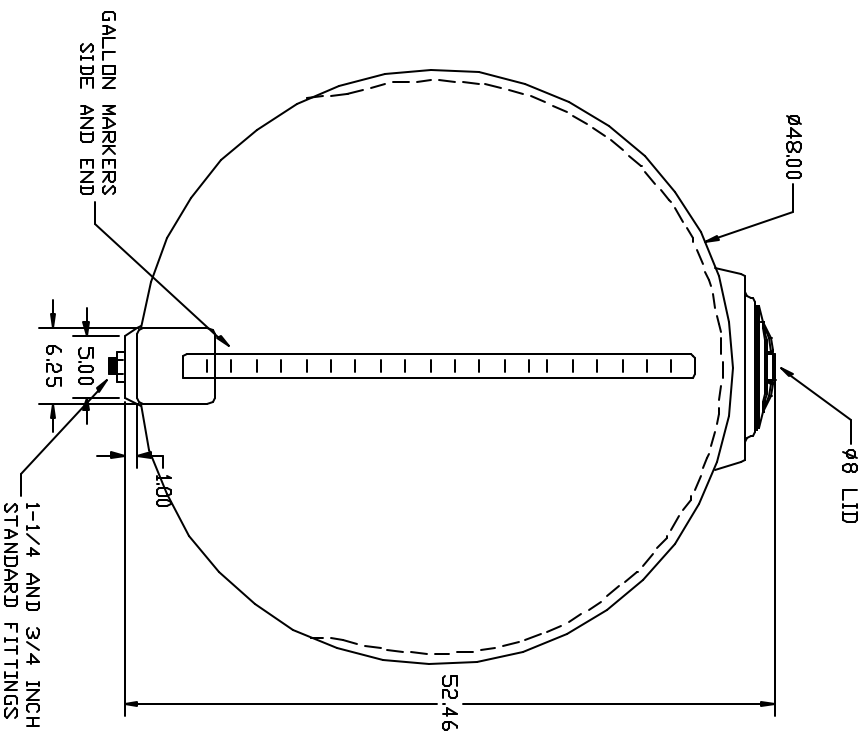
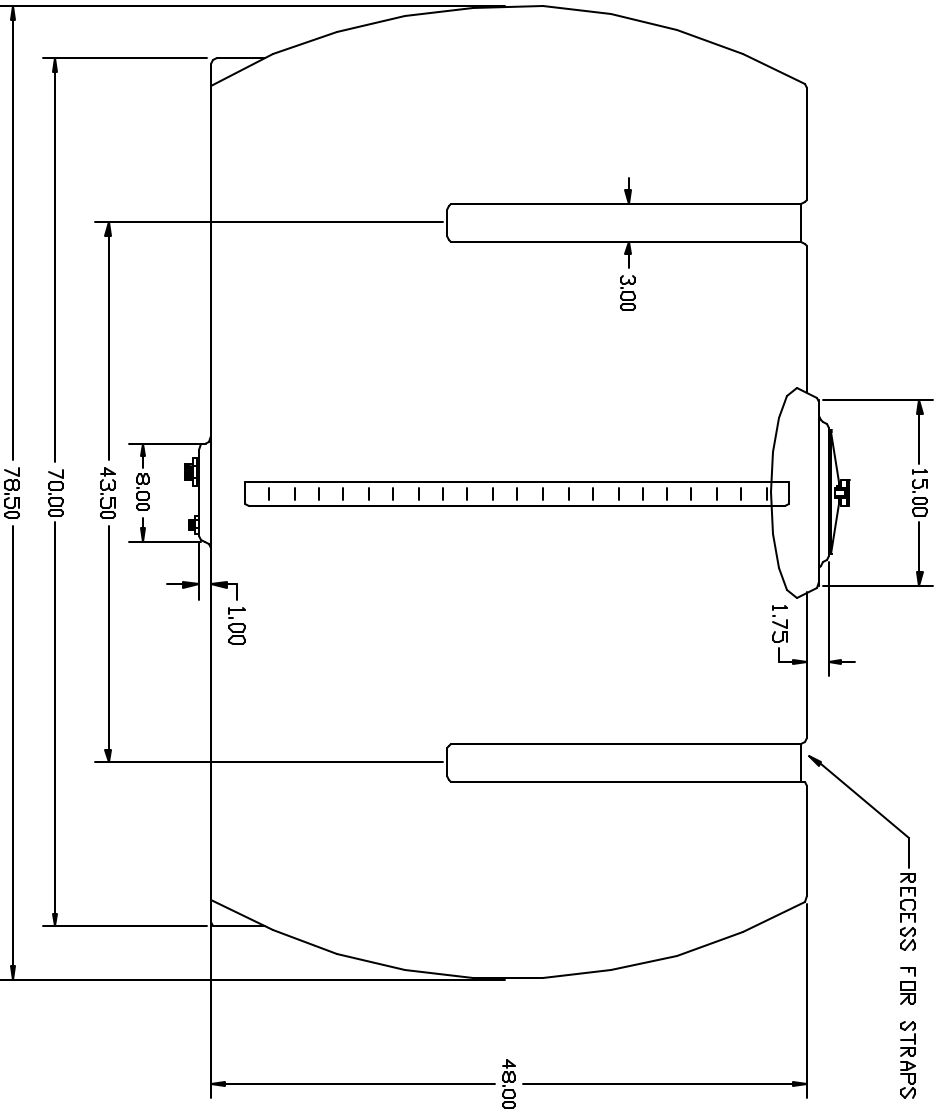


PROPRIETARY DATA

PROPERTY OF ACE ROTOMOLD MFG. INC. INFORMATION FURNISHED HEREIN IS THE PROPERTY OF ACE ROTOMOLD MFG. INC. AND SHALL NOT BE USED, DISCLOSED TO OTHERS, OR REPRODUCED WITHOUT THE EXPRESSED WRITTEN CONSENT OF ACE ROTOMOLD MFG. INC. ALL RIGHTS RESERVED.

HZ0500-48



REV	DESCRIPTION	DATE	APPRD

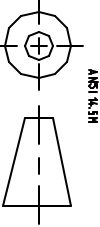
DRAWN / DATE

NVE 6/9/15

APPRD. / DATE

DHJ 6/21/15

THIRD ANGLE PROJECTION
ANSI X1.9M



MATERIAL

HDPB OR EQUIVALENT
REPRODUCE MATERIAL DATA SHEET
FOR SPECIFIC PROPERTIES.

NOTES:

1. NOM. WALL @ .211
2. WHITE OR COLDR
3. SHOT WEIGHT 122 LBS.

CLIENT / DESCRIPTION

510 GALLON HORIZONTAL TANK



4018 HWY. 61 BL. VD., BOX 471, HOSPERS, INDIANA 51238

SCALE

N.S.

PART NO.

HZ0500-48

ALL DIMENSIONS ARE IN DECIMAL INCHES
TOLERANCES UNLESS OTHERWISE SPECIFIED
+ 1% @ 68° F