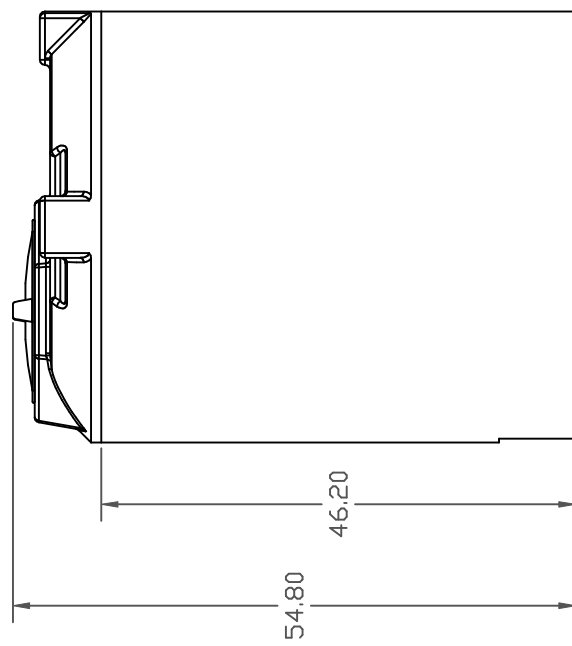
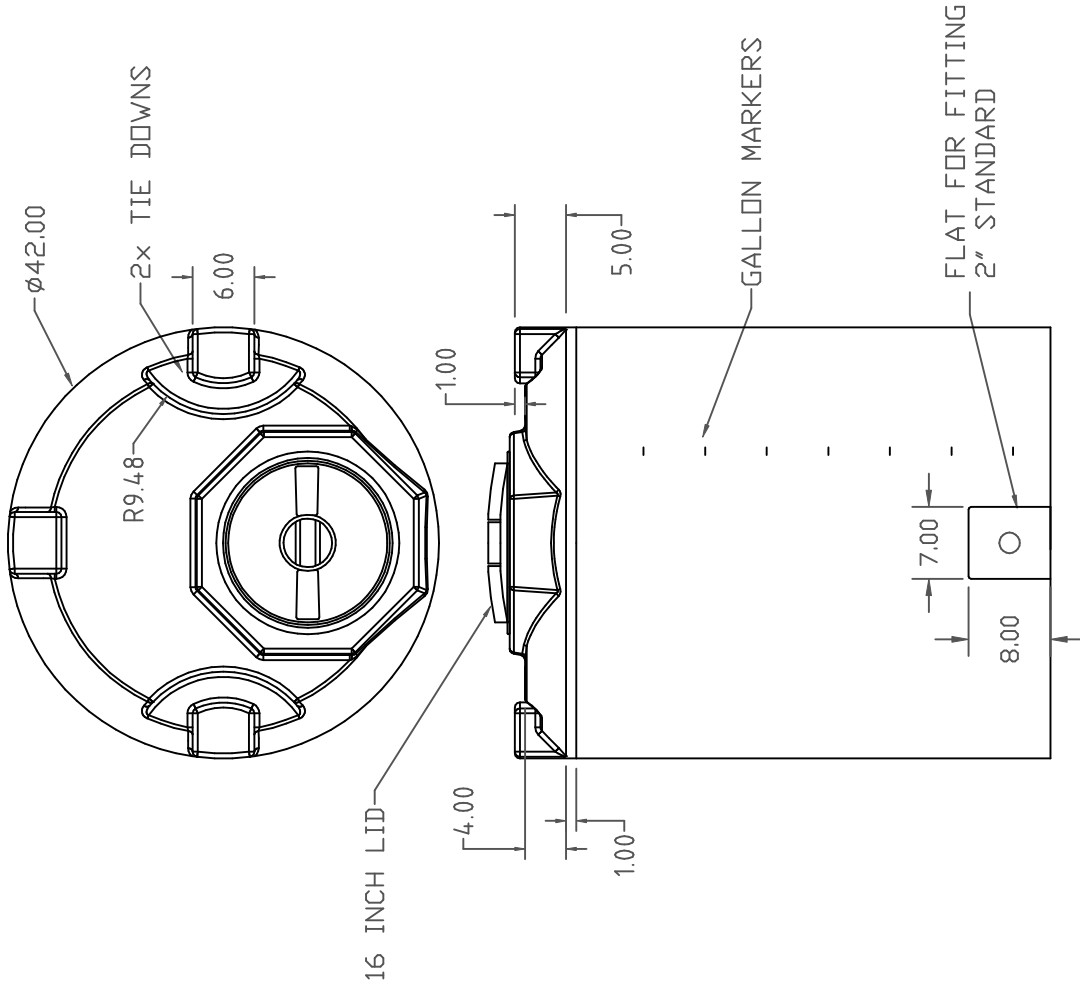


PROPRIETARY DATA

PROPERTY OF ACE ROTO-MOLD MFG., INC. INFORMATION FURNISHED HEREIN IS THE PROPERTY OF ACE ROTO-MOLD MFG., INC. AND SHALL NOT BE USED, DISCLOSED TO OTHERS, OR COPIED WITHOUT THE EXPRESSED WRITTEN CONSENT OF ACE ROTO-MOLD MFG., INC. ALL RIGHTS RESERVED.



**ACE ROTO-MOLD**  
 A DIVISION OF DEN HARTOG INDUSTRIES, INC.  
 4018 HWY. 60 BLVD., BOX 421, HOSPERS, IOWA 51238

CLIENT / DESCRIPTION  
 295 GALLON VERTICAL TANK WITH 16 INCH LID

SCALE N.S. PART NO. VT0295-42

MATERIAL  
 HDPE OR EQUIVALENT  
 REFERENCE MATERIAL DATA SHEET  
 FOR SPECIFIC PROPERTIES.

NOTES:  
 1. WHITE, BLACK, BLUE, GREEN,  
 GREY, AND YELLOW COLOR  
 2. SHOT WEIGHT 72 LBS.  
 3. NOM. WALL @ .17

DRAWN / DATE  
 DHJ 7/13/07

APPRD. / DATE  
 REH/8/7/07

THIRD ANGLE PROJECTION  
 ANSI 14.3M

REV	DESCRIPTION	DATE	APPRD

ALL DIMENSIONS ARE IN DECIMAL INCHES  
 TOLERANCES UNLESS OTHERWISE SPECIFIED  
 + .1% @ 68° F