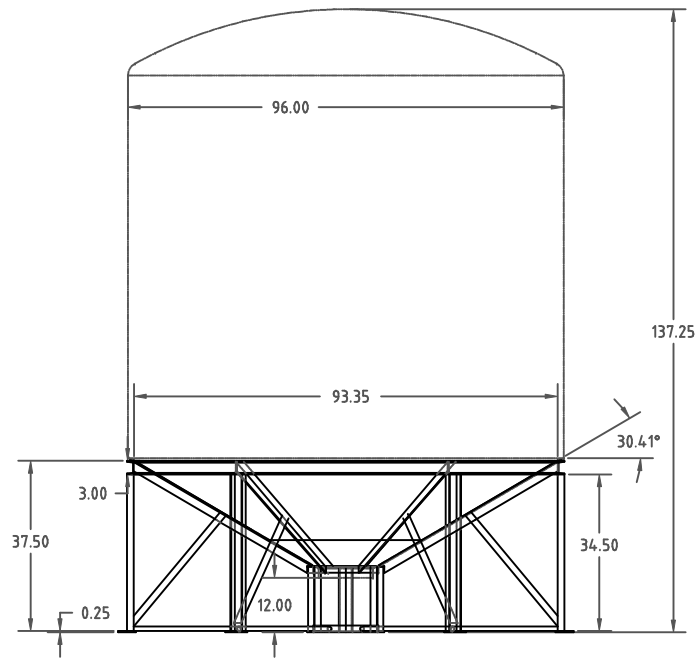
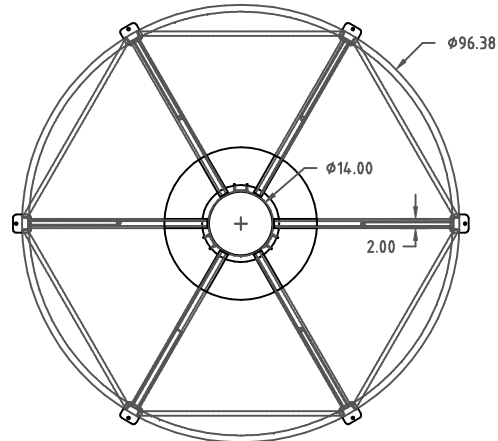



Copyright. All information furnished within this document, electronic file or design correspondence is the property of Den Hartog industries, Inc. and shall not be used, disclosed to others or copied without the expressed written consent of Den Hartog industries, Inc.



REV	DESCRIPTION	BY / DATE	CCN
ALL DIMENSIONS ARE IN DECIMAL INCHES TOLERANCES UNLESS OTHERWISE SPECIFIED			
POLYETHYLENE ±1% @ 68° F		METAL DECIMAL ± .125" FRACTION ± 1/4" ANGLE ± 1°	

DRAWN / DATE DHJ 10/25/09	MATERIAL TANK POLYETHYLENE
APPRD. / DATE REH 10-10-09	STAND MILD STEEL
SHIPPING WEIGHT: TANK WT. = 552 STAND WT. = 553 LB.	NOTES:
FINISH: BLACK POWDER COAT	

THIRD ANGLE PROJECTION ANSI 14.5M



Den Hartog

INDUSTRIES, INC.

Ace Roto-Mold Injection Molding Blow Molding Sowjoy
4010 HOSPERS DRIVE S. BOX 425, HOSPERS, IOWA 51238-0425

DESCRIPTION		3000 GAL Ø96 CONE BOTTOM TANK AND STAND	
SCALE	N.S.	PART NO.	CB3000-96+CB096-30ST