

© DEN HARTOG INDUSTRIES, INC.

Copyright. All information furnished within this document, electronic file or design correspondence is the property of Den Hartog Industries, Inc. and shall not be used, disclosed to others or copied without the expressed written consent of Den Hartog Industries, Inc.

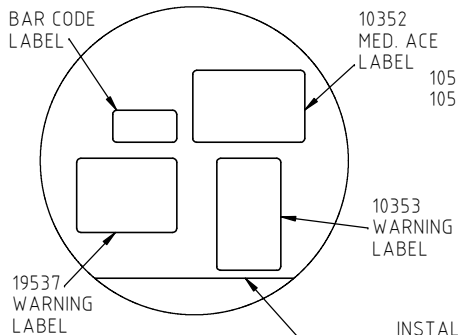
FM3250-88

E

**FM3250-88C  
CENTER DRAIN SUMP**

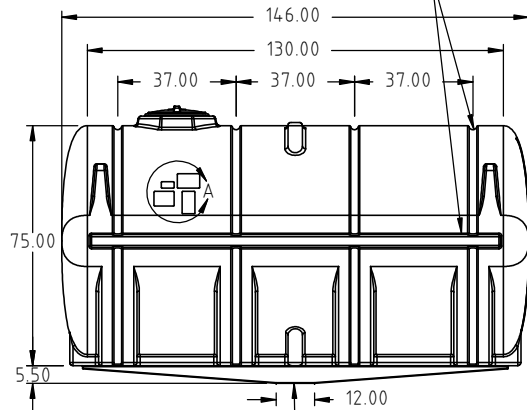
**FM3250-88E  
END DRAIN SUMP**

DETAIL A  
SCALE 1:12 (D)

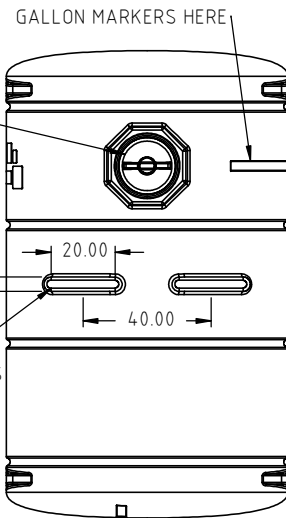


LOCATE LABELS DIRECTLY ABOVE THE PARTING LINE AND CENTERED BETWEEN THE HOOP LOCATIONS.

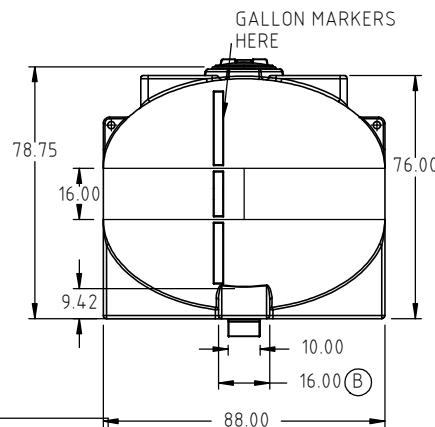
HOOPS ARE REQUIRED WITH THIS TANK



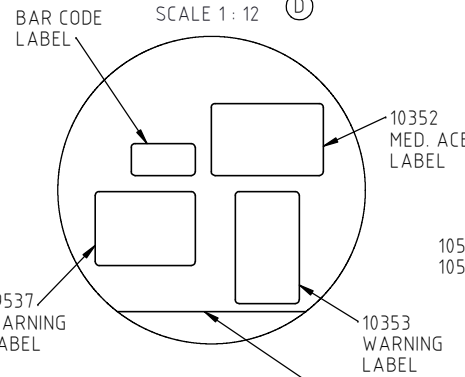
(E) 3" FITTING STANDARD



INSTALL 4 EACH FS3250-BAF BAFFLES HERE

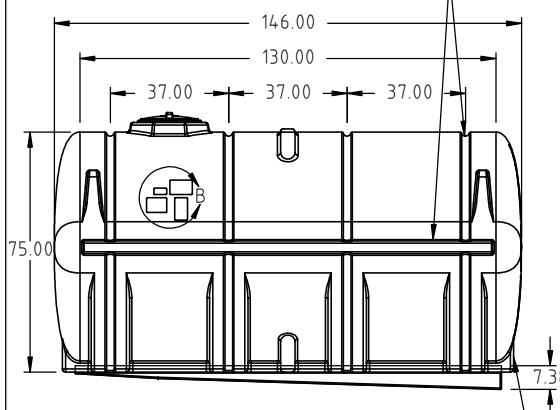


DETAIL B  
SCALE 1:12 (D)

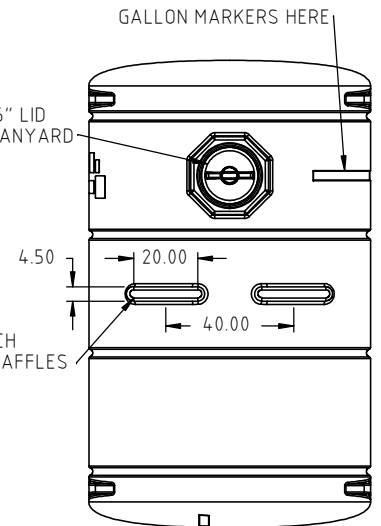


LOCATE LABELS DIRECTLY ABOVE THE PARTING LINE AND CENTERED BETWEEN THE HOOP LOCATIONS.

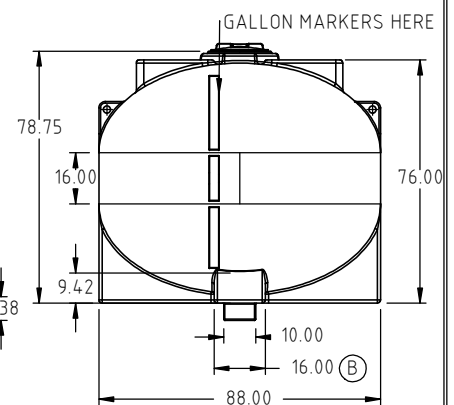
HOOPS ARE REQUIRED WITH THIS TANK



(E) 3" FITTING WITH 3" SYPHON TUBE (13141) STANDARD



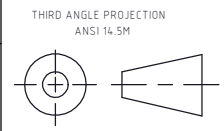
INSTALL 4 EACH FS3250-BAF BAFFLES HERE



E	3" STANDARD FITTING WAS 2" FITTING	ADH 2/20/13	2579
D	LABELS MOVED TO IMPROVE VISIBILITY.	ADH 11/29/12	2531
C	ADDED WARNING LABEL. 1/27/12 WAS INCORRECTLY SHOWN AS 12/27/12	REH 8/7/12	2468
B	16.00" WAS 12.00" (C)	ADH 1/27/12	2358
A	SYPHON TUBE NOTE UPDATED	ADH 5/9/11	2212
REV	DESCRIPTION	BY / DATE	CCN

DRAWN / DATE	MATERIAL
ADH 4/19/10	10538 NATURAL
APPROD. / DATE	
REH 4/19/10	

ALL DIMENSIONS ARE IN DECIMAL INCHES TOLERANCES UNLESS OTHERWISE SPECIFIED  
 POLYETHYLENE METAL DECIMAL ± .125" FRACTION ± 1/4" ANGLE ± 1°  
 ±1% @ 68°F



SHOT WEIGHT:	1100 LBS.
SHIPPING WEIGHT:	1208 LBS.
FINISH:	

NOTES:  
 1.) 0.535 NOMINAL WALL  
 2.) BLUE, BLACK, WHITE OR YELLOW COLOR



**Den Hartog**  
INDUSTRIES, INC.

Ace Roto-Mold Injection Molding Blow Molding Sowjoy

4010 HOSPERS DRIVE S. BOX 425, HOSPERS, IOWA 51238-0425

DESCRIPTION	3250 GALLON ELLIPTICAL LEG TANK WITH SUMP	
SCALE	N.S.	PART NO. FM3250-88