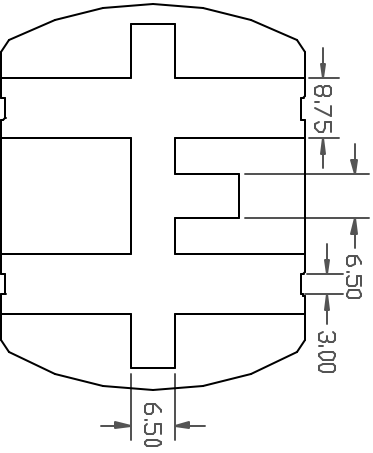
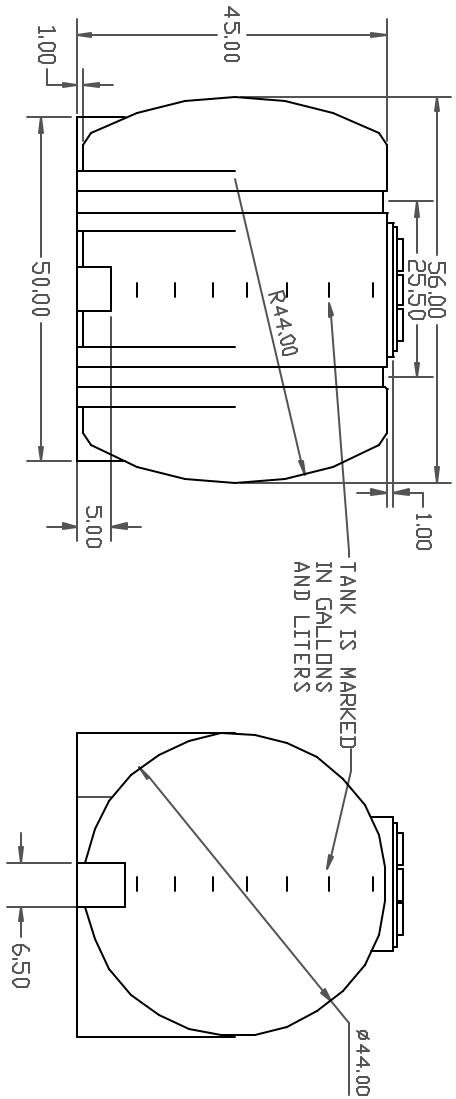
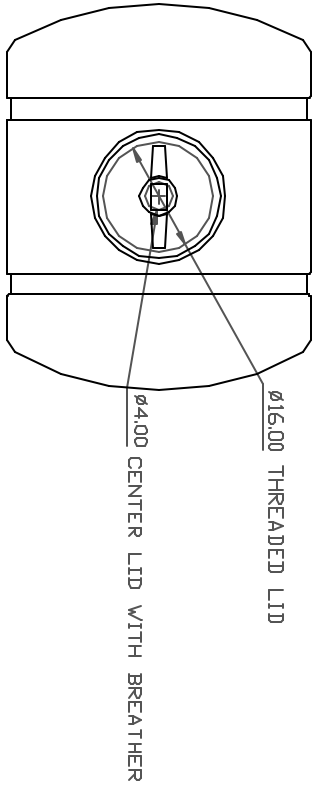


PROPRIETARY DATA

PROPERTY OF ACE ROTO-MOLD MFG. INC. INFORMATION FURNISHED HEREIN IS THE PROPERTY OF ACE ROTO-MOLD MFG. INC. AND SHALL NOT BE USED, DISCLOSED TO OTHERS, OR COPIED WITHOUT THE EXPRESSED WRITTEN CONSENT OF ACE ROTO-MOLD MFG. INC. ALL RIGHTS RESERVED.

FSU335-44



DRAWN / DATE

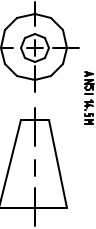
DHJ 12/20/12

MATERIAL

APPRD. / DATE
XXXXXX

HIDE OR EQUIVALENT
REPRODUCE MATERIAL DATA SHEET
FOR SPECIFIC PROPERTIES.

THIRD ANGLE PROJECTION
ANSI X1.9



NOTES:

1. WHITE, BLACK, YELLOW OR DESERT TAN POLYDR
2. SHOT WEIGHT 116 LBS.

CLIENT / DESCRIPTION

335 GALLON FREE-STANDING TANK



4018 HWY. 61 BL. VD., BOX 471, HOSPERS, INVA 51238

SCALE

N.S.

PART NO.

FS0335-44

REV DESCRIPTION DATE APPRD

ALL DIMENSIONS ARE IN DECIMAL INCHES
TOLERANCES UNLESS OTHERWISE SPECIFIED

+ 1% @ 68° F