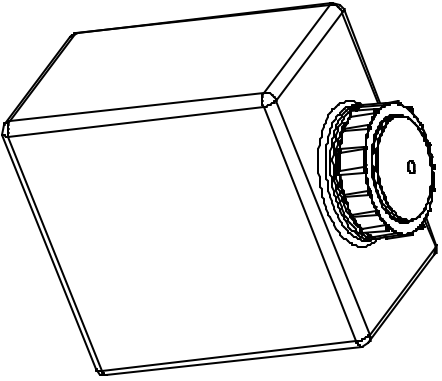
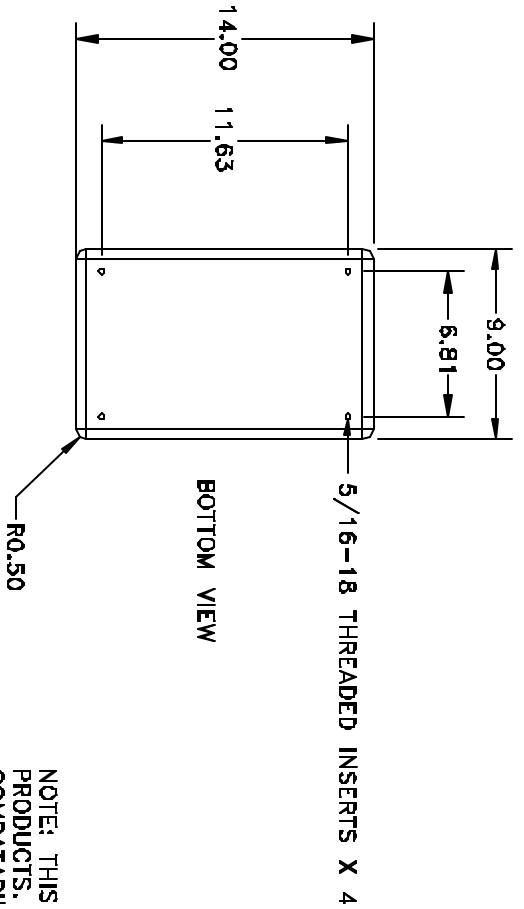
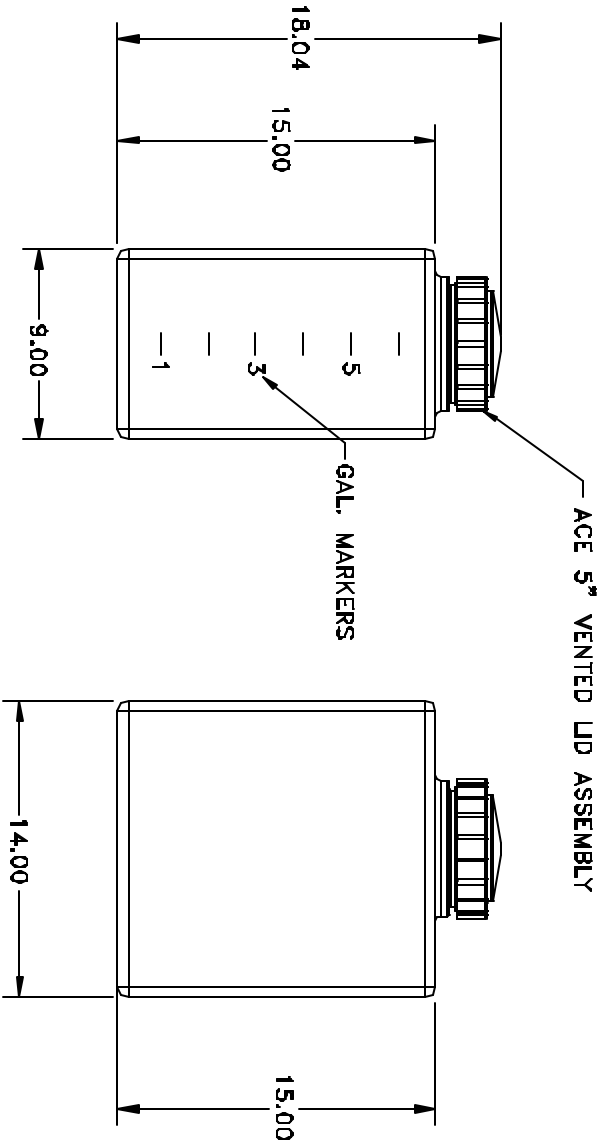


SP0007-RT

A



NOTE: THIS PRODUCT IS NOT DESIGNED TO CONTAIN PETROLEUM PRODUCTS. CONSULT THE FACTORY REGARDING CHEMICAL COMPATIBILITY

DRAWN / DATE		REH/08/15/00	
APPRD. / DATE		REH/08/15/00	
REV	DESCRIPTION	DATE	APPRD.
A	TOLERANCE WAS +/- .5%	10/09/01	

MATERIAL / SHOT WEIGHT			
M111	M135	U625	P938
NOTES:			
1. NATURAL COLOR			

ACE PROTO-MOLD
 A DIVISION OF DEN HARTOG INDUSTRIES, INC.
 CLIENT / DESCRIPTION
 ACE 7 GALLON RECTANGULAR TANK

ALL DIMENSIONS ARE IN DECIMAL INCHES
 TOLERANCES UNLESS OTHERWISE SPECIFIED
 + 2% @ 68° F

THIRD ANGLE PROJECTION

SCALE N.S. PART NO. SP0007-RT