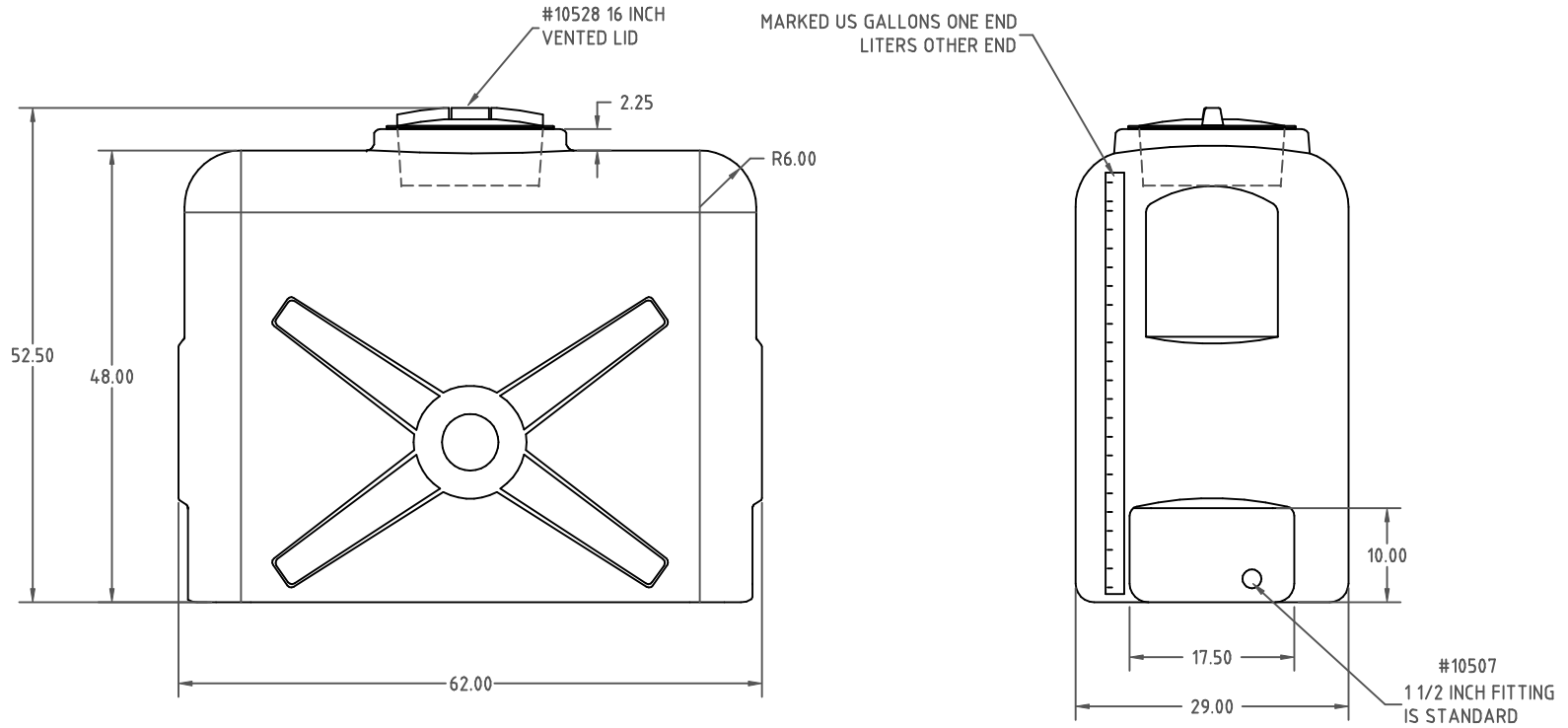



Copyright. All information furnished within this document, electronic file or design correspondence is the property of Den Hartog industries, inc. and shall not be used, disclosed to others or copied without the expressed written consent of Den Hartog Industries, Inc.



				DRAWN / DATE REH 6/12/09	MATERIAL 10420 3 MELT RESIN
				APPRD. / DATE DHJ 8/11/09	
REV	DESCRIPTION	BY / DATE	CCN	SHOT WEIGHT: 157 LBS.	NOTES: 1.) .375 NOM. WALL
				SHIPPING WEIGHT: 159 LBS.	
				FINISH:	
ALL DIMENSIONS ARE IN DECIMAL INCHES TOLERANCES UNLESS OTHERWISE SPECIFIED POLYETHYLENE		THIRD ANGLE PROJECTION ANSI 14.5M			
±1% @ 68 ° F					
METAL DECIMAL ± .125" FRACTION ± 1/4" ANGLE ± 1°					



Den Hartog

INDUSTRIES, INC.

Ace Rofo-Mold Injection Molding Blow Molding Sowjoy
4010 HOSPERS DRIVE S. BOX 425, HOSPERS, IOWA 51238-0425

DESCRIPTION		300 GALLON UTILITY TANK	
SCALE	N.S.	PART NO.	SP0300-UT