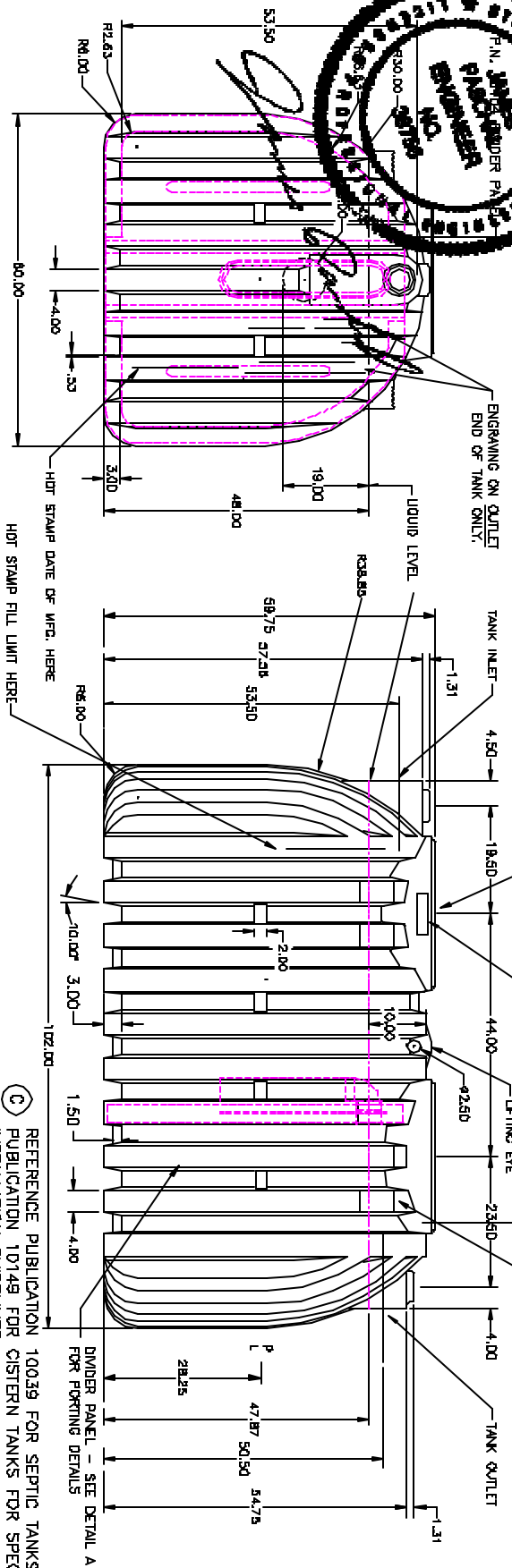
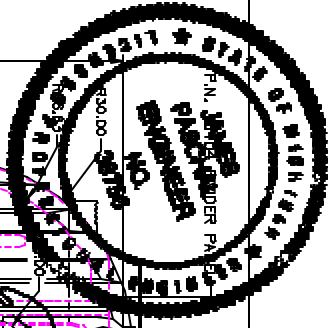
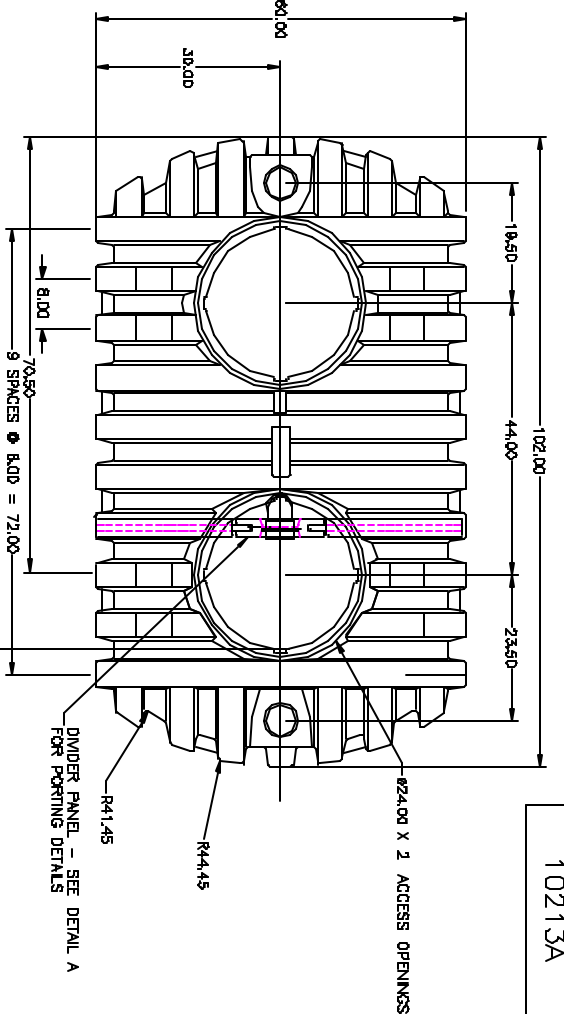
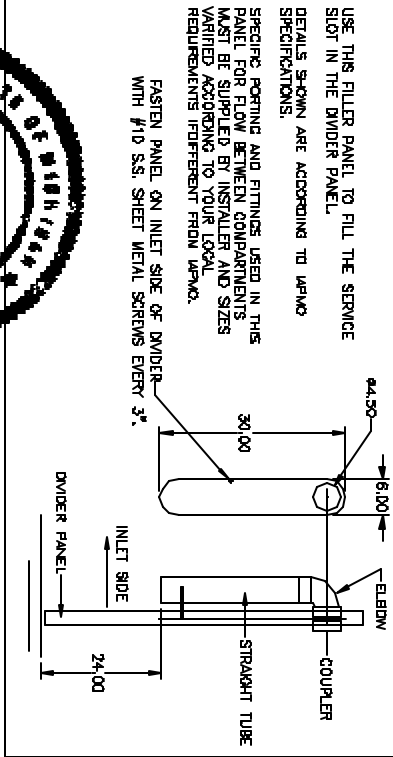


PROPRIETARY DATA

PROPERTY OF ACE ROTO-MOLD MFG., INC. INFORMATION FURNISHED HEREIN IS THE PROPERTY OF ACE ROTO-MOLD MFG., INC. AND SHALL NOT BE USED, DISCLOSED TO OTHERS, OR COPIED WITHOUT THE EXPRESSED WRITTEN CONSENT OF ACE ROTO-MOLD MFG., INC. ALL RIGHTS RESERVED.

10213A

DETAIL A
DIVIDER FILLER PANEL DETAILS



C	ADDED PUBLICATION REF	9/30/05	DRAWN / DATE	REH / 11/1/97	MATERIAL	MOBIL 134 HDPE OR EQUIVALENT REFERENCE MATERIAL DATA SHEET FOR SPECIFIC PROPERTIES.
B	DIVIDER FTG. REVISION	4/26/99	APPRD. / DATE	REH / 11/1/97	NOTES:	1. NOM. WALL @ .250 2. YELLOW COLOR 3. SHOT WEIGHT 330 LBS.
A	GENERAL REVISION	1/11/99	APPRD. / DATE	REH / 11/1/97	CLIENT / DESCRIPTION	1000 GAL. TWO COMPARTMENT SEPTIC TANK
REV	DESCRIPTION	DATE	APPRD.			

ALL DIMENSIONS ARE IN DECIMAL INCHES TOLERANCES UNLESS OTHERWISE SPECIFIED
± .5% @ 68° F



SCALE N.S.
PART NO. AST-1000-2

ACE ROTO-MOLD

A DIVISION OF DEN HARTOG INDUSTRIES, INC.
401B HWY. 60 BLVD., BOX 421, HOSPERG, IOWA 51238

1000 GAL. TWO COMPARTMENT SEPTIC TANK

REFERENCE PUBLICATION 10039 FOR SEPTIC TANKS OR PUBLICATION 10149 FOR CISTERNA TANKS FOR SPECIFIC INSTALLATION GUIDELINES.